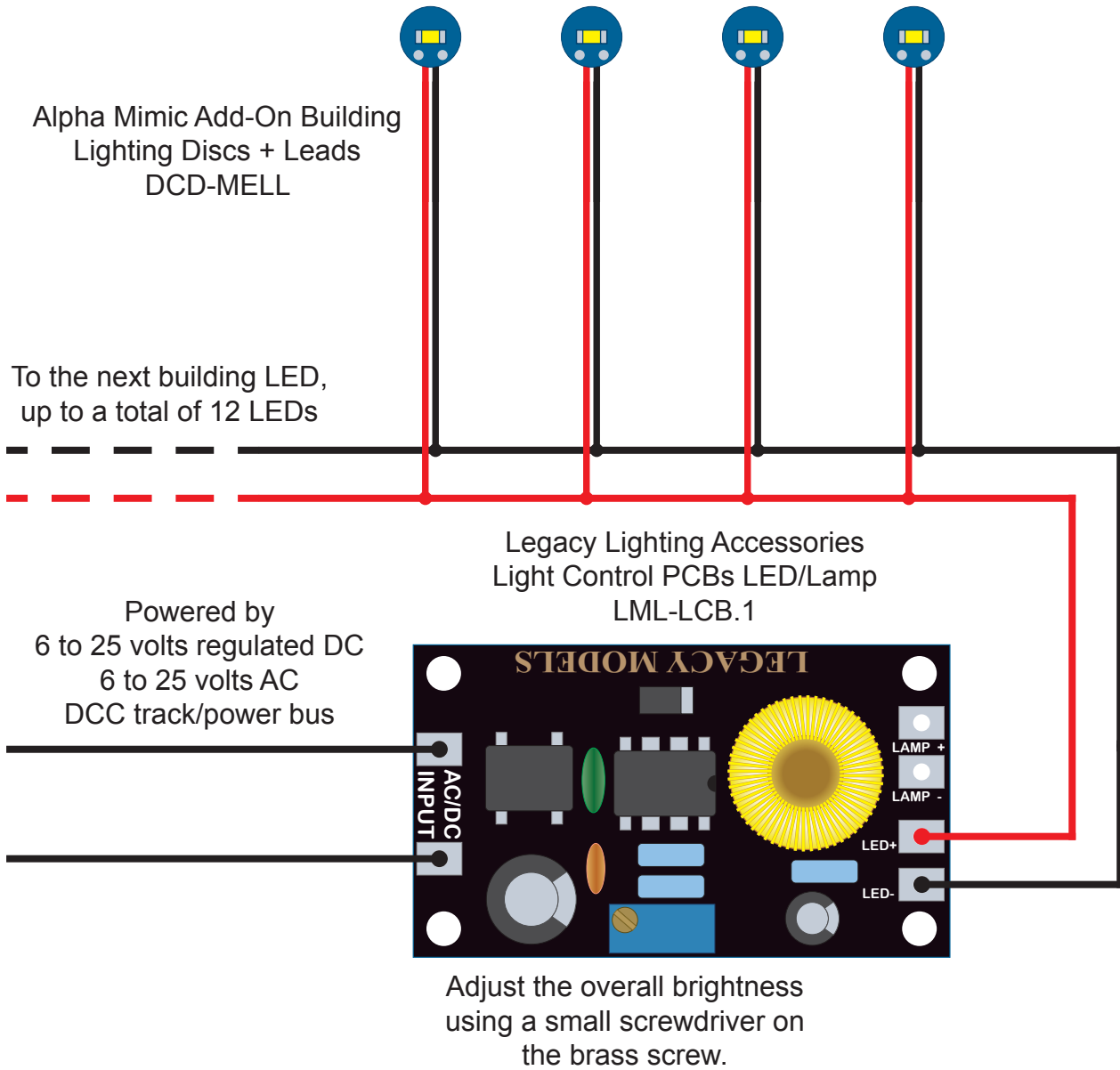




Legacy Light Control PCB Controlling Alpha Mimic Building Lights



Note - make sure you connect the LEDs to the correct connections on the circuit board or you may damage them.