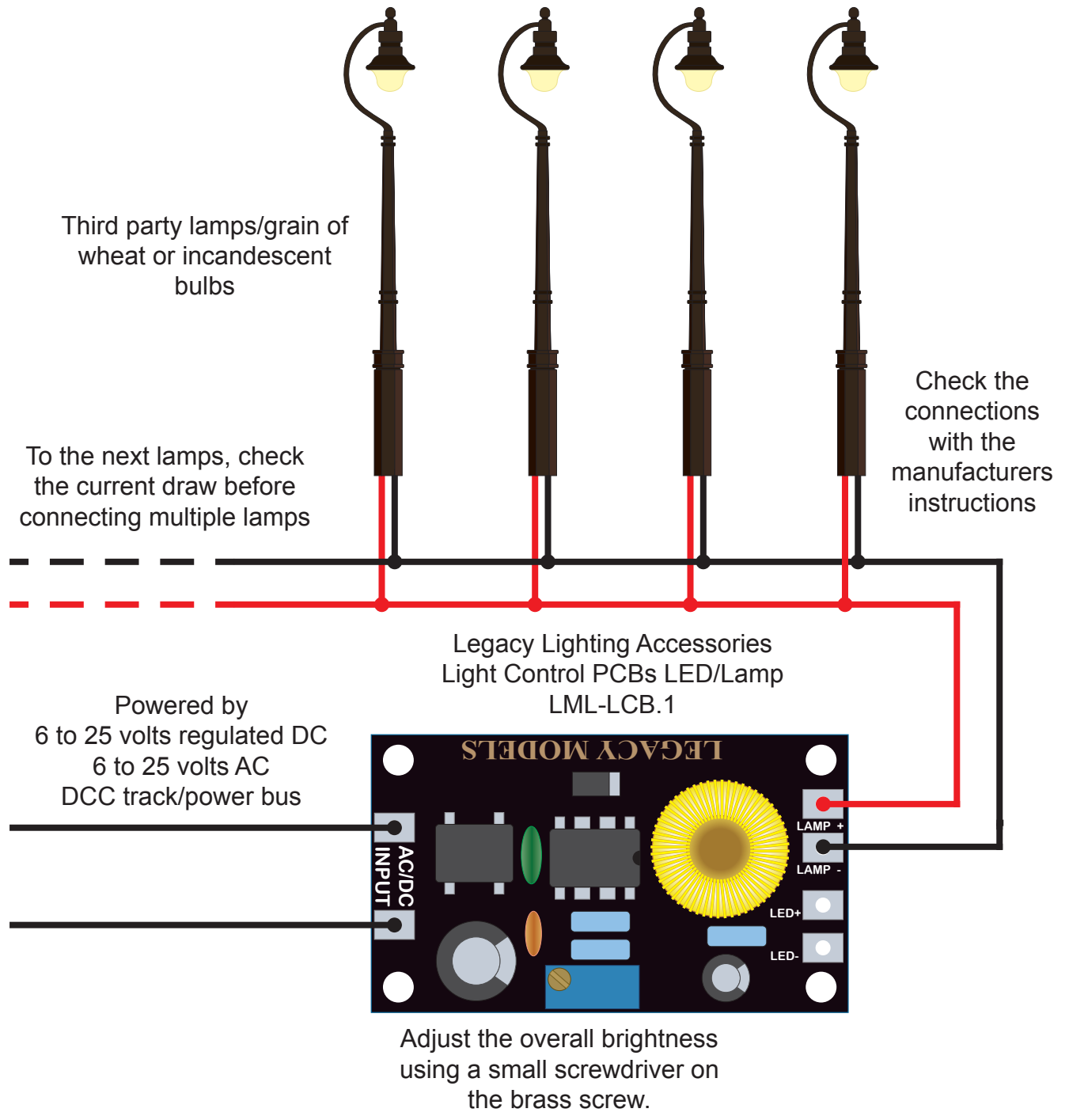




# Legacy Light Control PCB Controlling Third Party Lamps



Note - make sure you connect the 3rd party lamps/grain of wheat or incandescent bulbs to the correct connections on the circuit board or you may damage them.