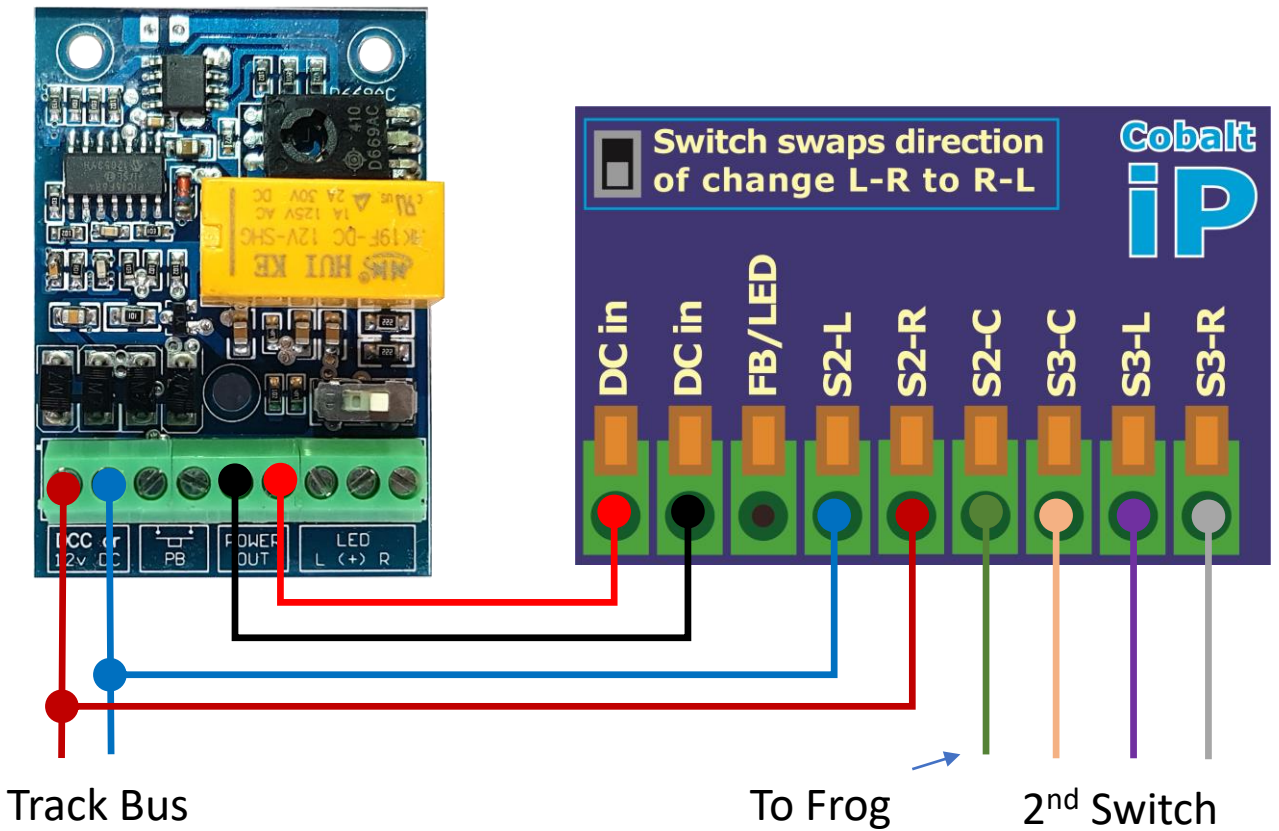




AD1HP and Cobalt iP wiring for Track Bus and Accessory Bus

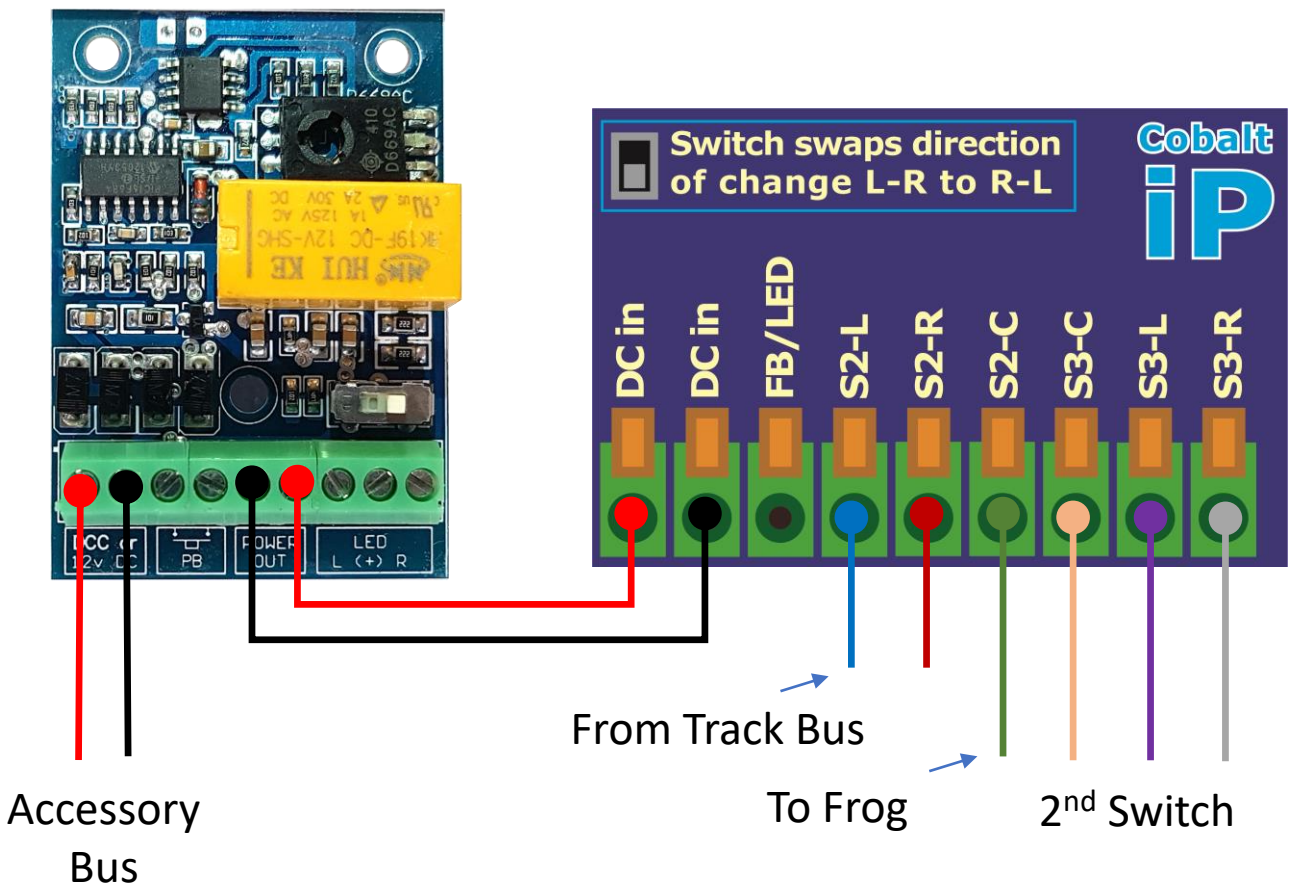
Control via Track Bus





AD1HP and Cobalt iP wiring for Track Bus and Accessory Bus

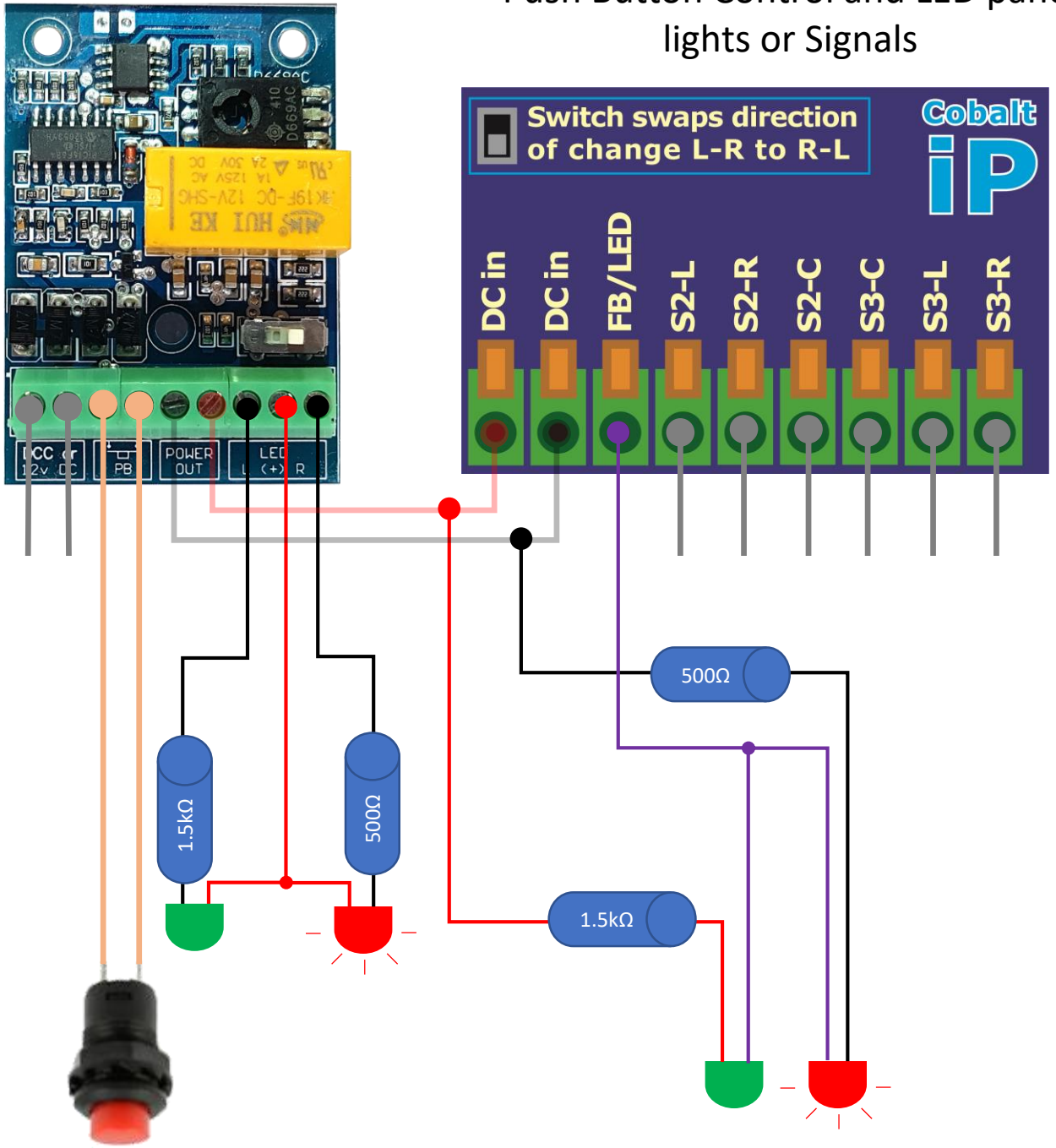
Control via Accessory Bus





AD1HP and Cobalt iP wiring for Track Bus and Accessory Bus

Push Button Control and LED panel lights or Signals



Push Button Switch toggles the turnout L > R > L (etc)

Note how different LEDs have different resistor values. These values are indicative and can be varied (with caution) for brightness.