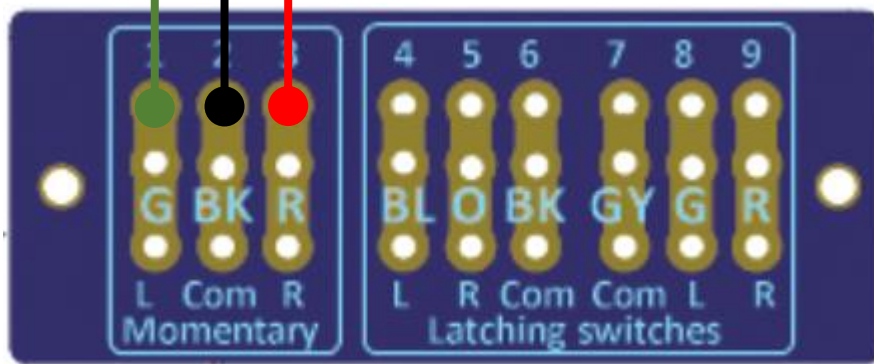


# ADS-2sx : Using Cobalt S-Lever



ADS-2sx power input, Frog power wiring and solenoid output are not shown for clarity.



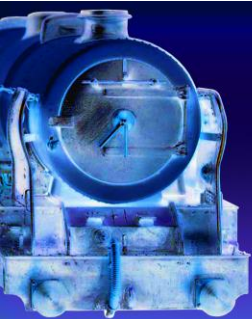
DCP-CBS  
Cobalt S Point Lever



To reverse the output to match the Lever throw, swap the green and red wires at the relevant Cobalt S Lever or ADS connection

ADS-2fx, ADS-8fx and ADS-8sx are wired the same.

*Originally drawn for Pete R*



## ADS-2sx : Using Toggle Switches



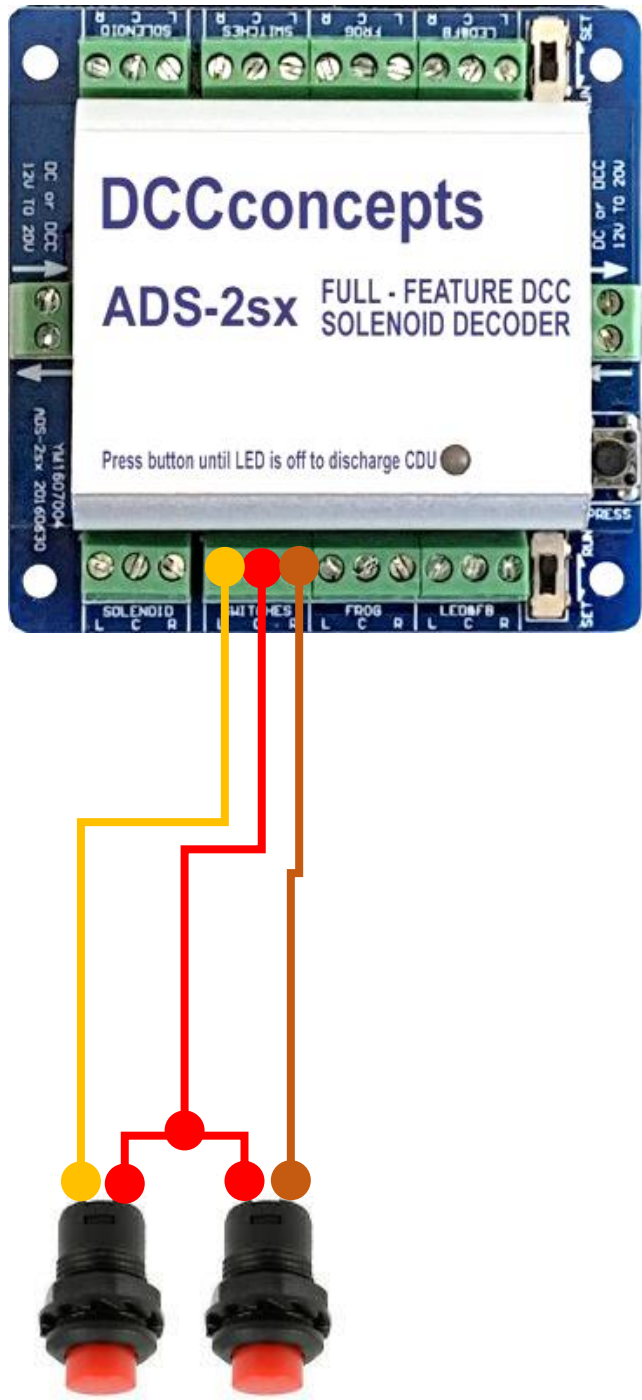
Toggle Switch - Spring Return To Centre is ideal but ON/ON is OK if you are not using DCC control



*originally drawn for Roy B*



# ADS-2sx : Using Push Button Switches



*originally drawn for Roy B*