



DCC concepts

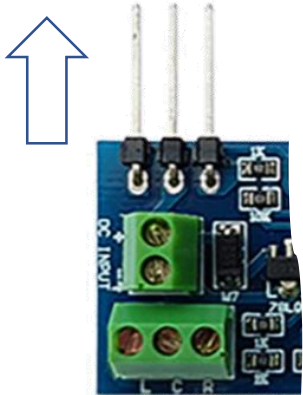
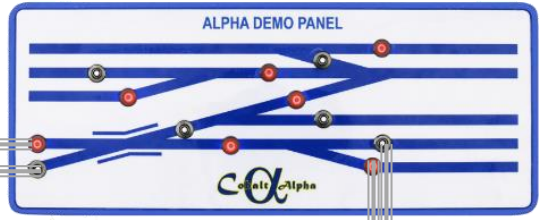
thinking outside the square



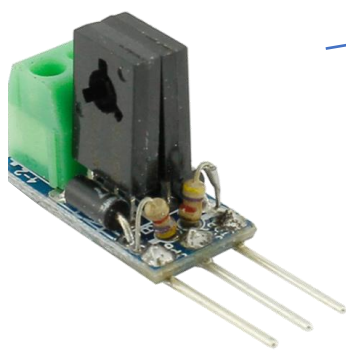
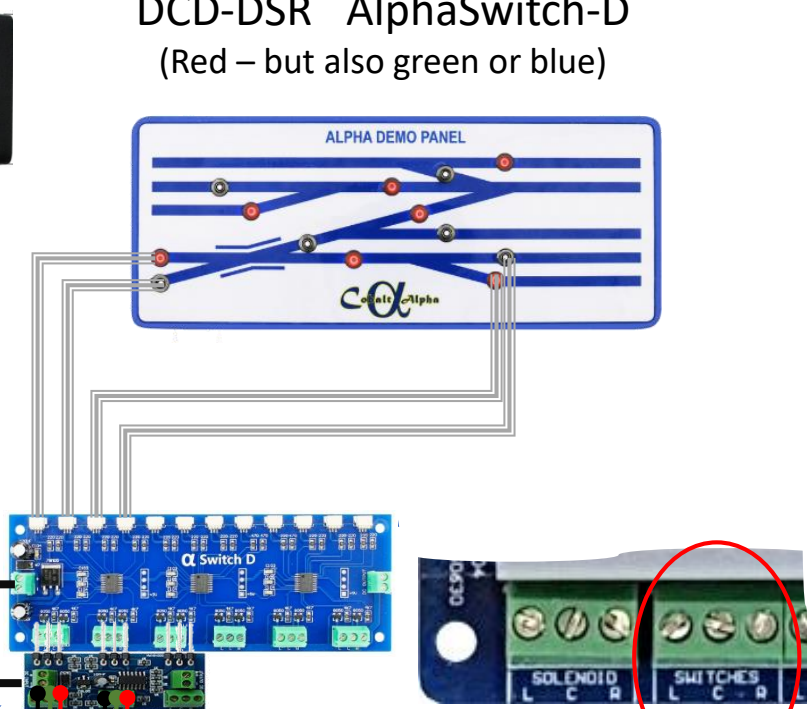
Alpha Switch D and ADS-2sx via the DSS.2; ADS-2sx to Kato via SDC3

NCE-PPK
12V Regulated
power supply

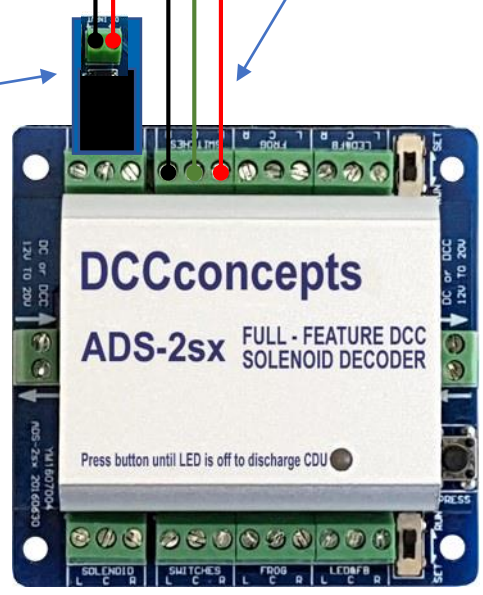
DCD-DSR AlphaSwitch-D
(Red – but also green or blue)



DCD-DSS.2



DCD-SDC3



Kato Point Motor

Originally drawn for John C