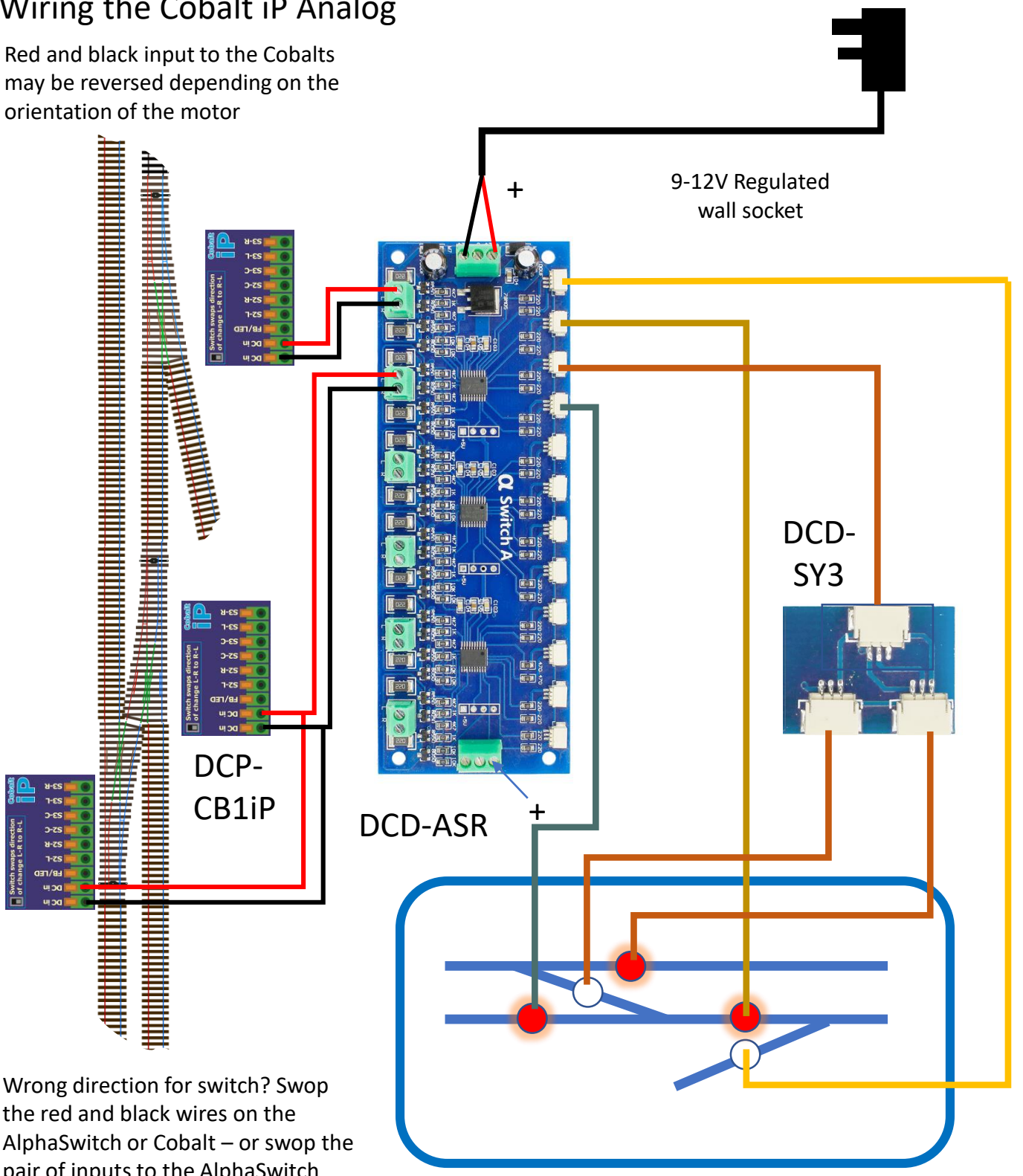




AlphaSwitch A wiring example

Wiring the Cobalt iP Analog

Red and black input to the Cobalts may be reversed depending on the orientation of the motor



Wrong direction for switch? Swop the red and black wires on the AlphaSwitch or Cobalt – or swop the pair of inputs to the AlphaSwitch