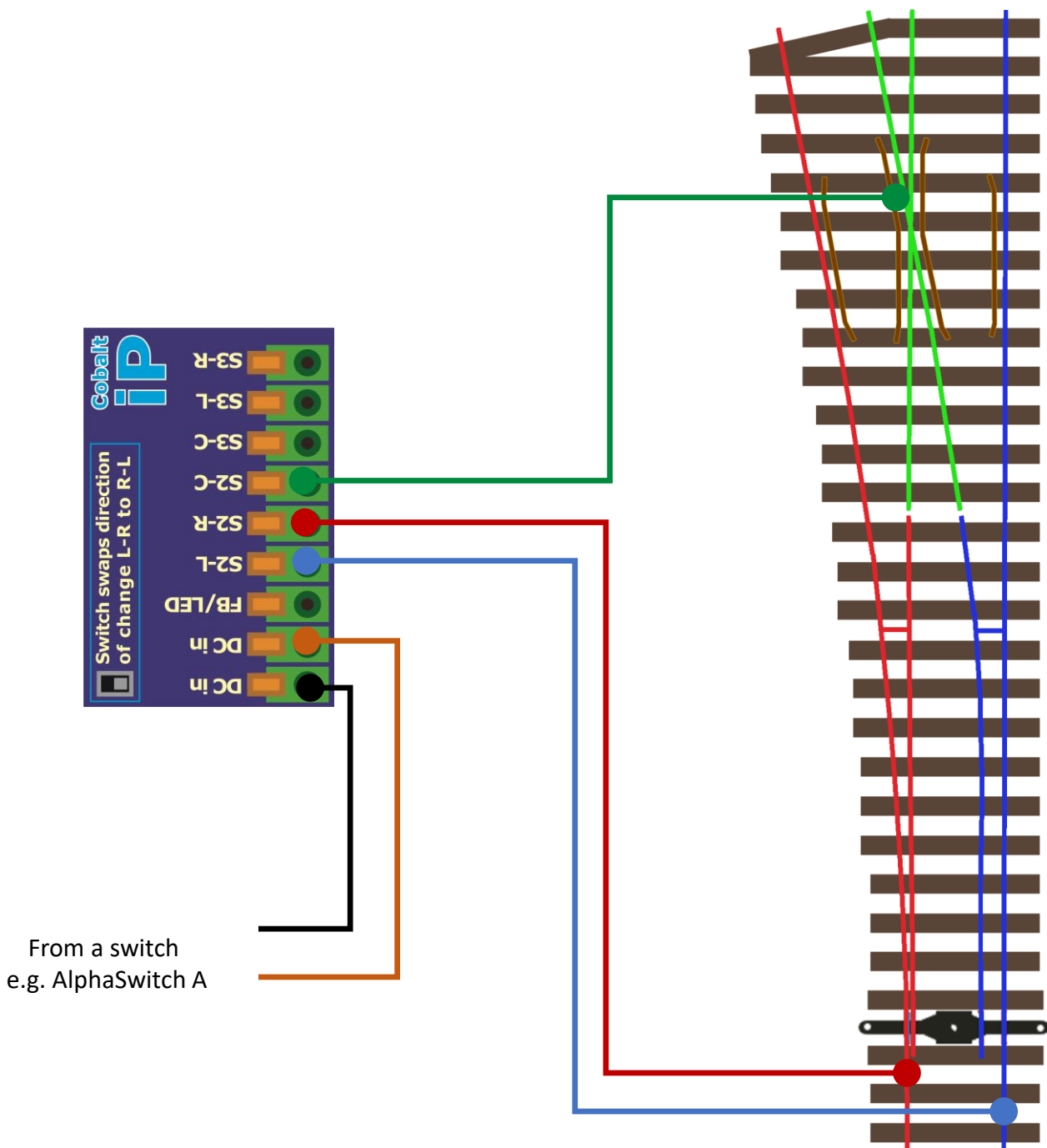




Cobalt iP Analog Frog Wiring



Orientation of the Cobalt will affect the wiring. If the point frog polarity is incorrect, swap **S2-L** and **S2-R**

Originally drawn for David W