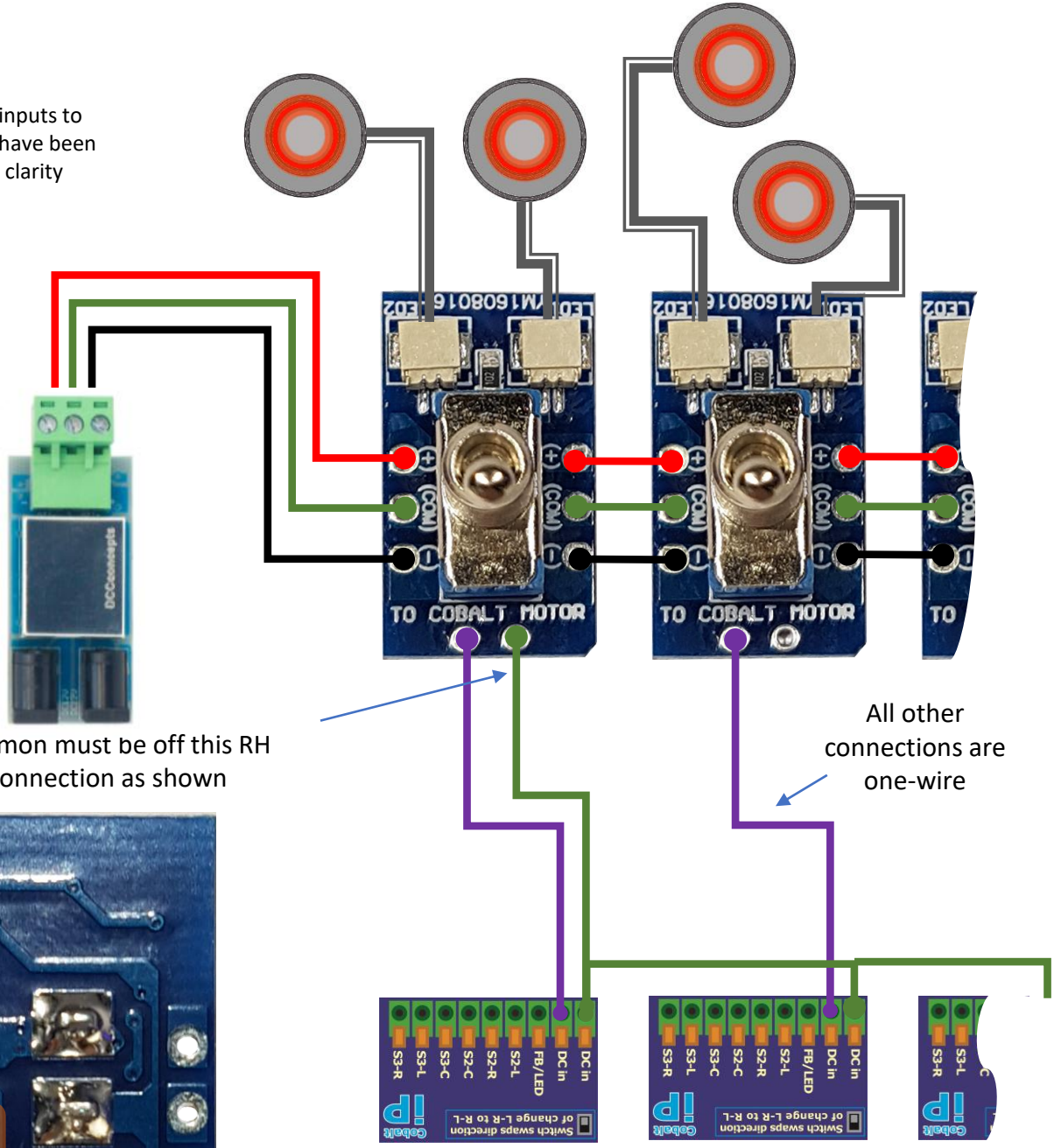




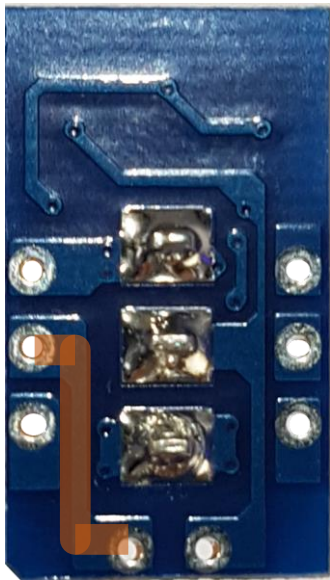
Cobalt iP Analog, SPS 12, CBS Switch Pack using one wire (and daisy chaining a common wire)

The power inputs to the SPS-12 have been omitted for clarity



Common must be off this RH connection as shown

All other connections are one-wire



Swap green and purple DC in wires to reverse motor direction

This underside view shows Common is same as RH connection

Originally drawn for Arnold S