



thinking outside the square
 Furthest diamond frog is same as point frog

DCC concepts

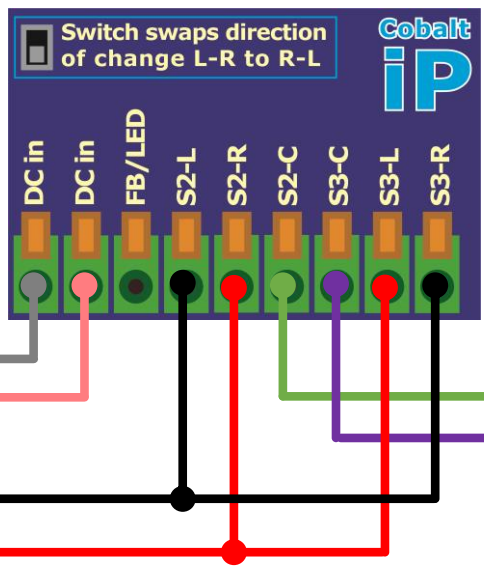
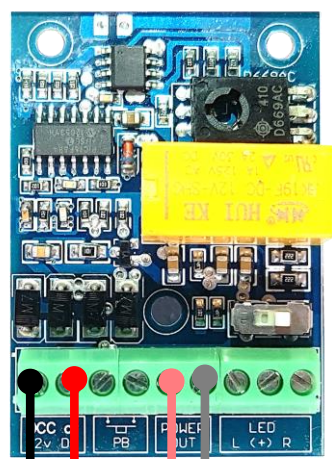


Cobalt iP Analog and AD1HP (DCC Controlled) with turnout feeding Diamond

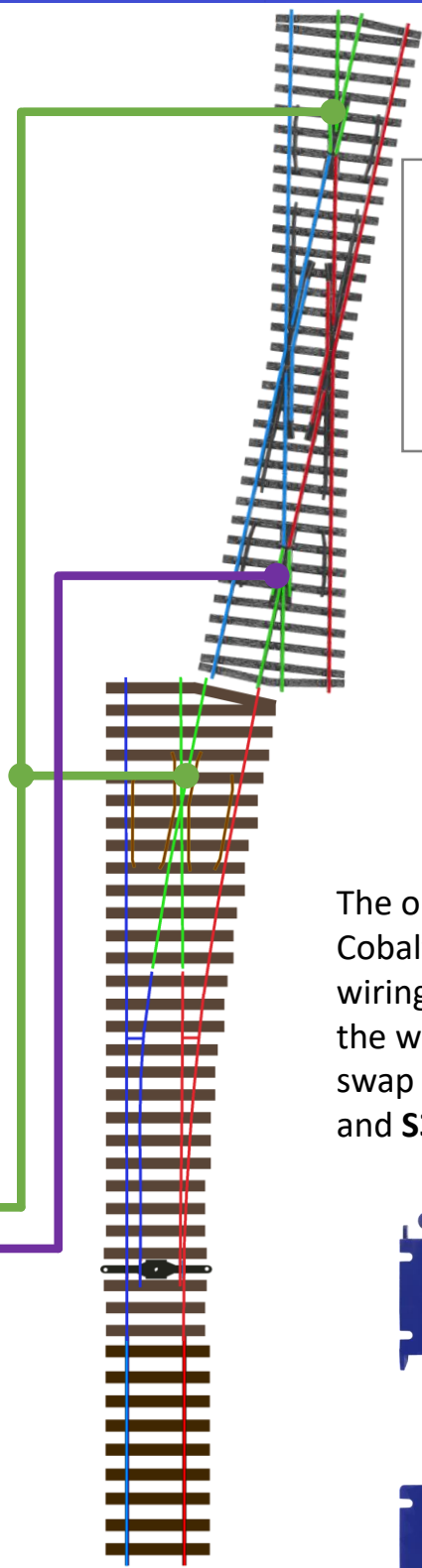
DCD-AD1HP

The same principle applies to AD-8 accessory decoders

From DCC Power bus



DCC-CB1iP



As shown, the wiring assumes that this is the orientation of the Cobalt



The orientation of the Cobalt will affect the wiring. If the frogs are the wrong polarity, swap S2-L and S2-R and S3-L and S3-R



Originally drawn for Darrell W