



# DCC concepts

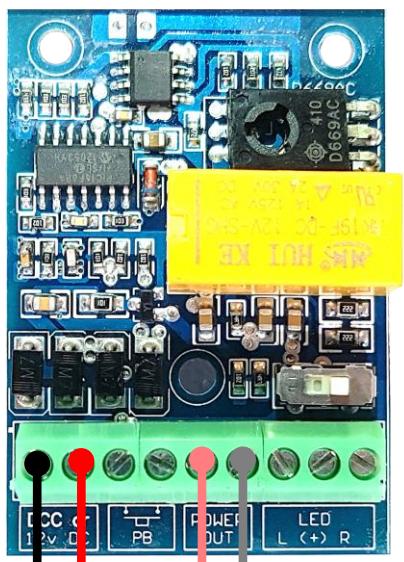
thinking outside the square  
 Furthest diamond frog is same as point frog



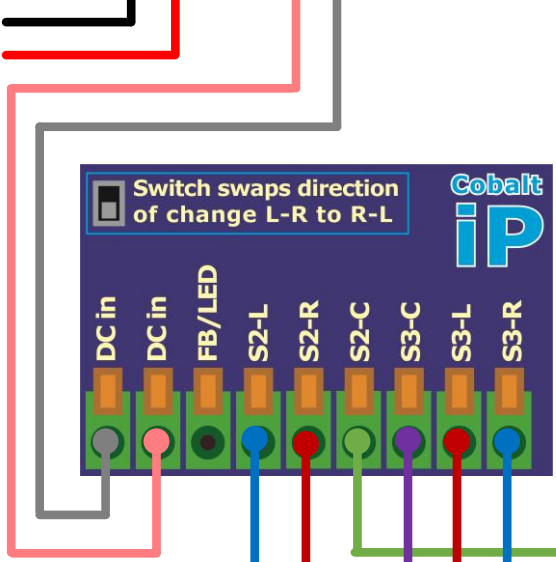
## Cobalt iP Analog and AD1HP from Accessory Bus with turnout feeding Diamond

### DCC-AD1HP

The same principle applies to AD-2 and AD-8 accessory decoders



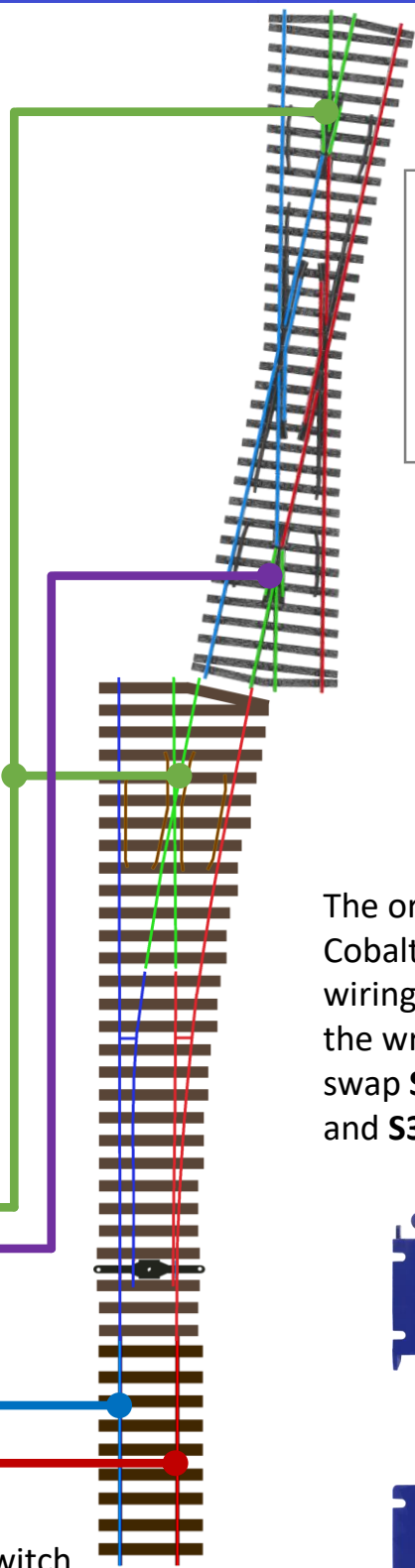
From Acc. bus



### DCP-CB1iP (or Classic Ω)

*originally drawn for Mike W*

Take track power for the Cobalt's S2 and S3 switch terminals from track (shown here) or Track Bus



As shown, the wiring assumes that this is the orientation of the Cobalt



The orientation of the Cobalt will affect the wiring. If the frogs are the wrong polarity, swap S2-L and S2-R and S3-L and S3-R

