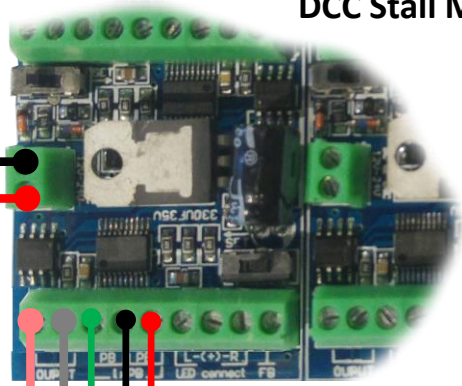


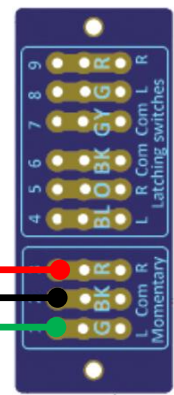


## Cobalt iP Analog and AD8fx Frog Wiring and S Lever

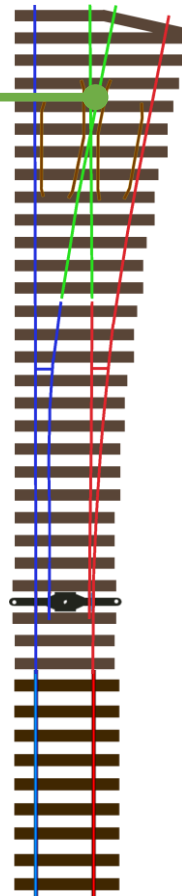
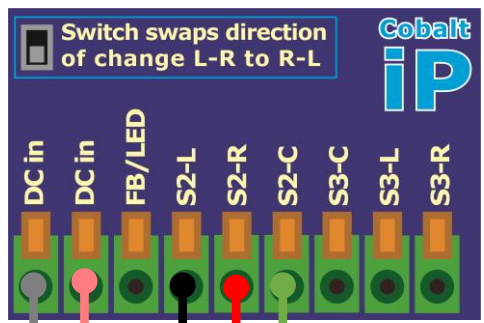
### DCD-AD8fx DCC Stall Motor Decoder



### DCC-CBS Cobalt S Point Lever



### DCC-CB1iP (or Classic Ω)



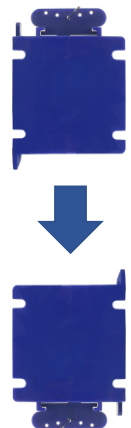
To reverse the output to match the lever throw, swap the green and red wires at the relevant Cobalt S Lever or AD8fx connection

The orientation of the Cobalt will affect the wiring. If the frogs are the wrong polarity, swap S2-L and S2-R.

From track or DCC Power bus

Note: This one DCC in feeds all eight channels

As shown, the wiring assumes that this is the orientation of the Cobalt



Originally drawn for John v