



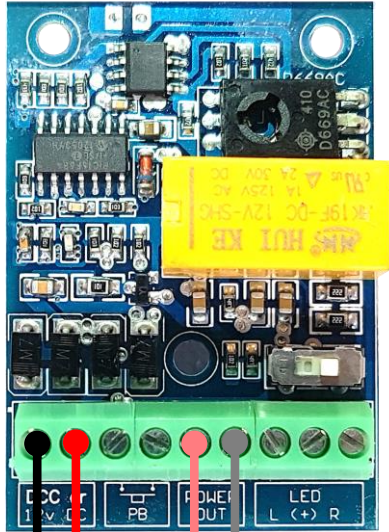
thinking outside the square  
 Furthest diamond  
 frog is same as  
 point frog

# DCC concepts



## Cobalt Omega and AD1HP Frog Wiring

### DCD-AD1HP

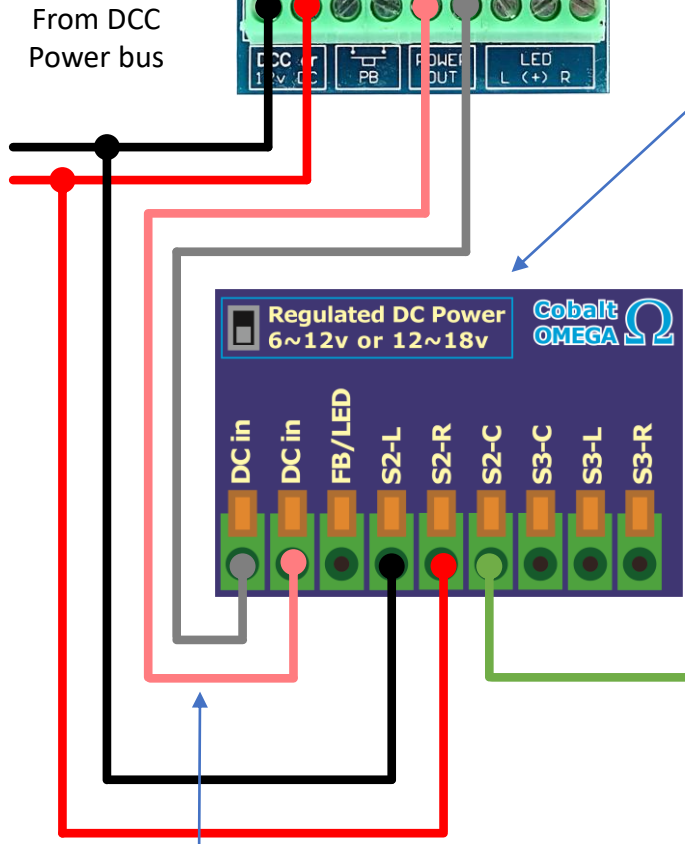


The same principle applies to AD-8 accessory decoders

From DCC Power bus

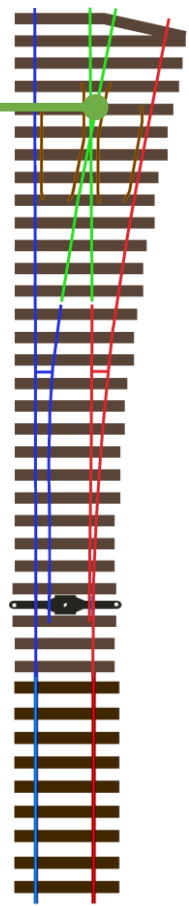
This setting depends on the output voltage of the DCC system. Either is suitable for most systems but if you are unsure, set to 12~18V

As shown, the wiring assumes that this is the orientation of the Cobalt



To reverse the direction of the motor, swap the grey and pink wires

### DCP-CB1omega



The orientation of the Cobalt will affect the wiring. If the frog is the wrong polarity, swap S2-L and S2-R

