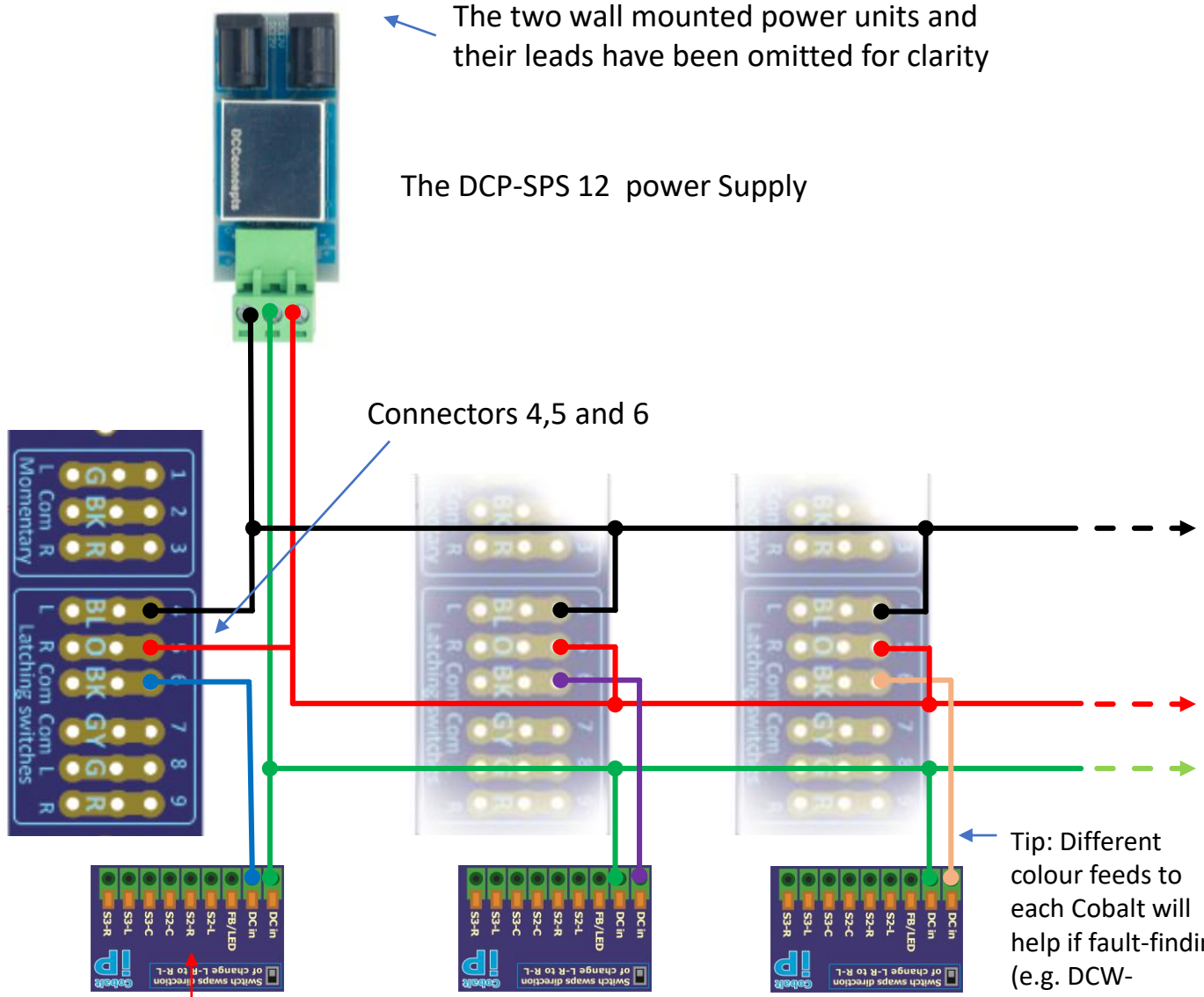




# DCC concepts thinking outside the square



## Cobalt S , Cobalt iP Analogs and SPS 12



The Frog wire (to S2-C) and dropper wires from track/bus (to S2-L & S2-R) have been omitted for clarity

Cobalt iP Analog Turnout motors (DCP-CB1iP)

Originally drawn for Kenneth u