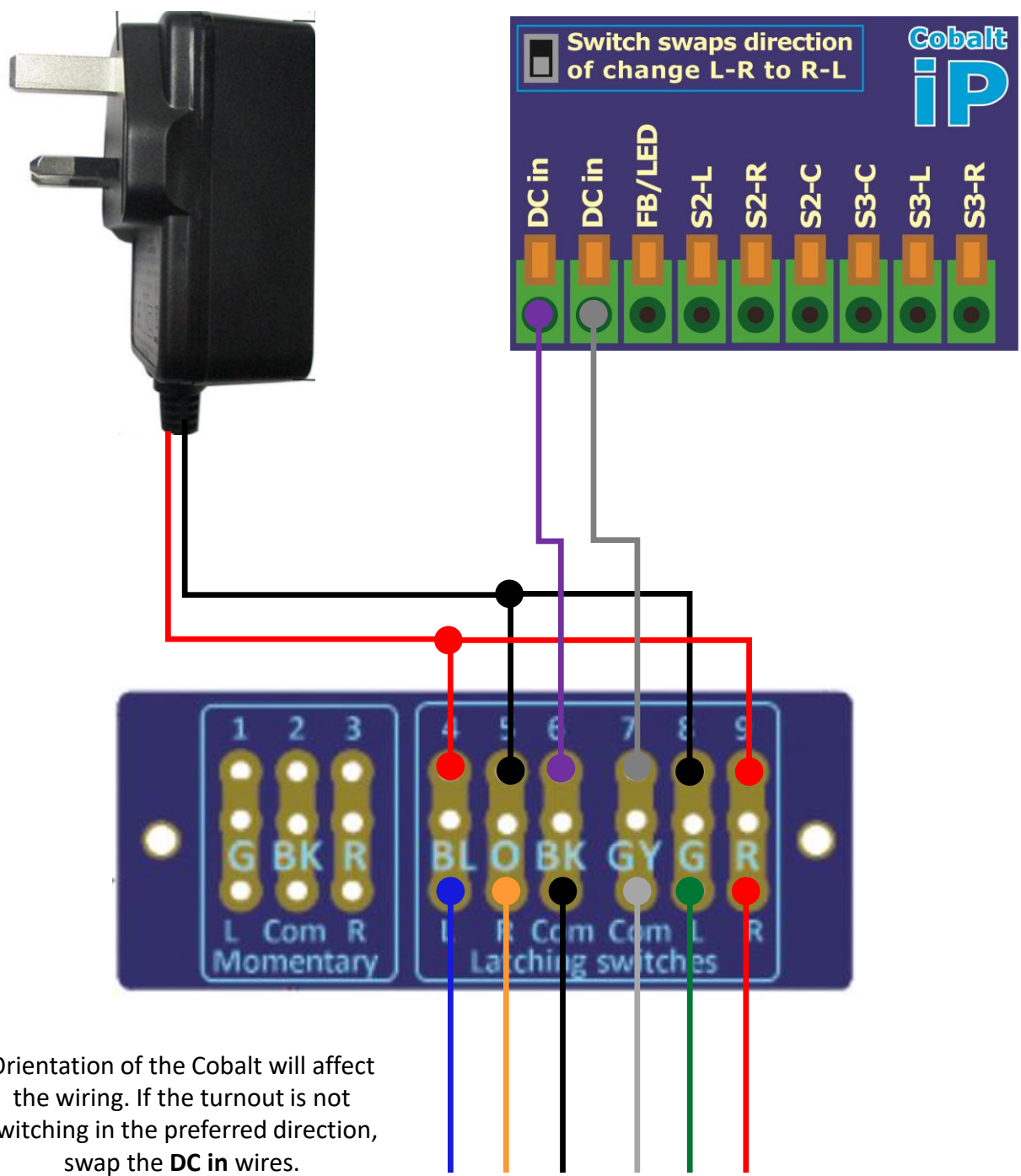




# Cobalt S Lever to Cobalt Analog from 2-wire Power Supply

NCE-PPK  
 Regulated Power Supply

Frog wiring has been omitted for clarity



Orientation of the Cobalt will affect the wiring. If the turnout is not switching in the preferred direction, swap the **DC in** wires.

*Originally drawn for Neil M*