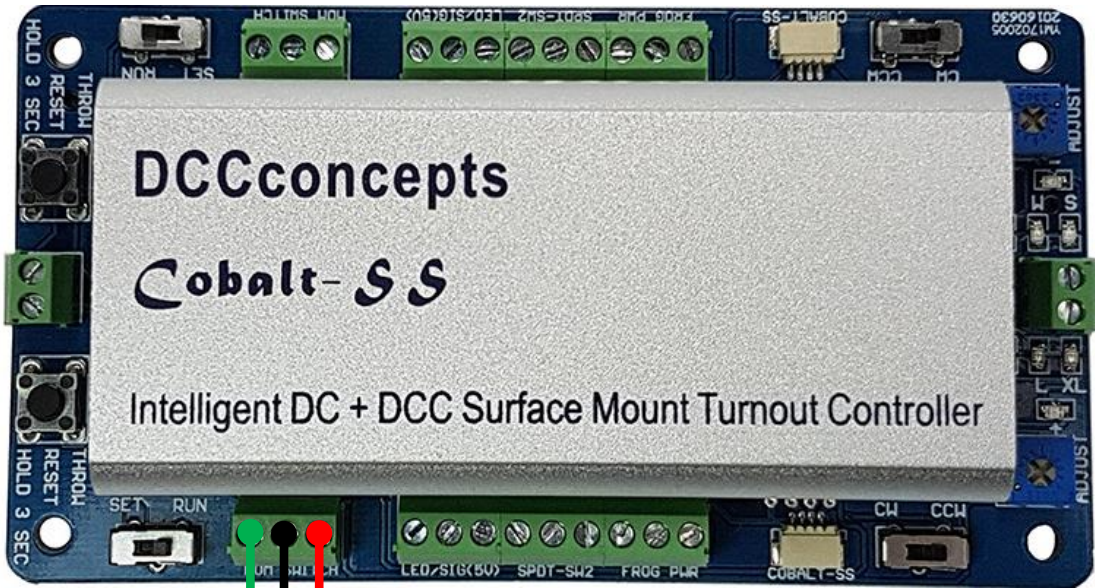




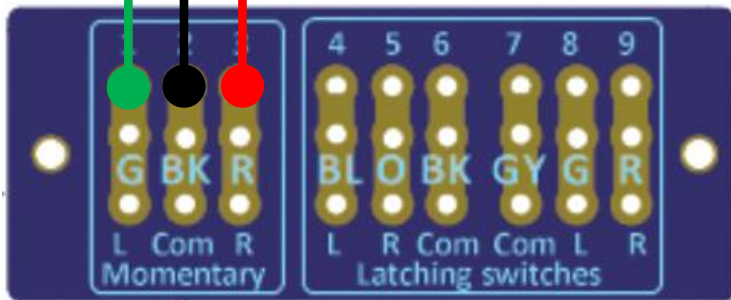
Cobalt S Lever to Cobalt SS



DCP-CBS
Cobalt S Point Lever



DCP-CBSS-2
Cobalt-SS



To reverse the output to match the Lever throw, swap the green and red wires at the relevant Cobalt S Lever or Cobalt SS connection

Originally drawn for Michael H