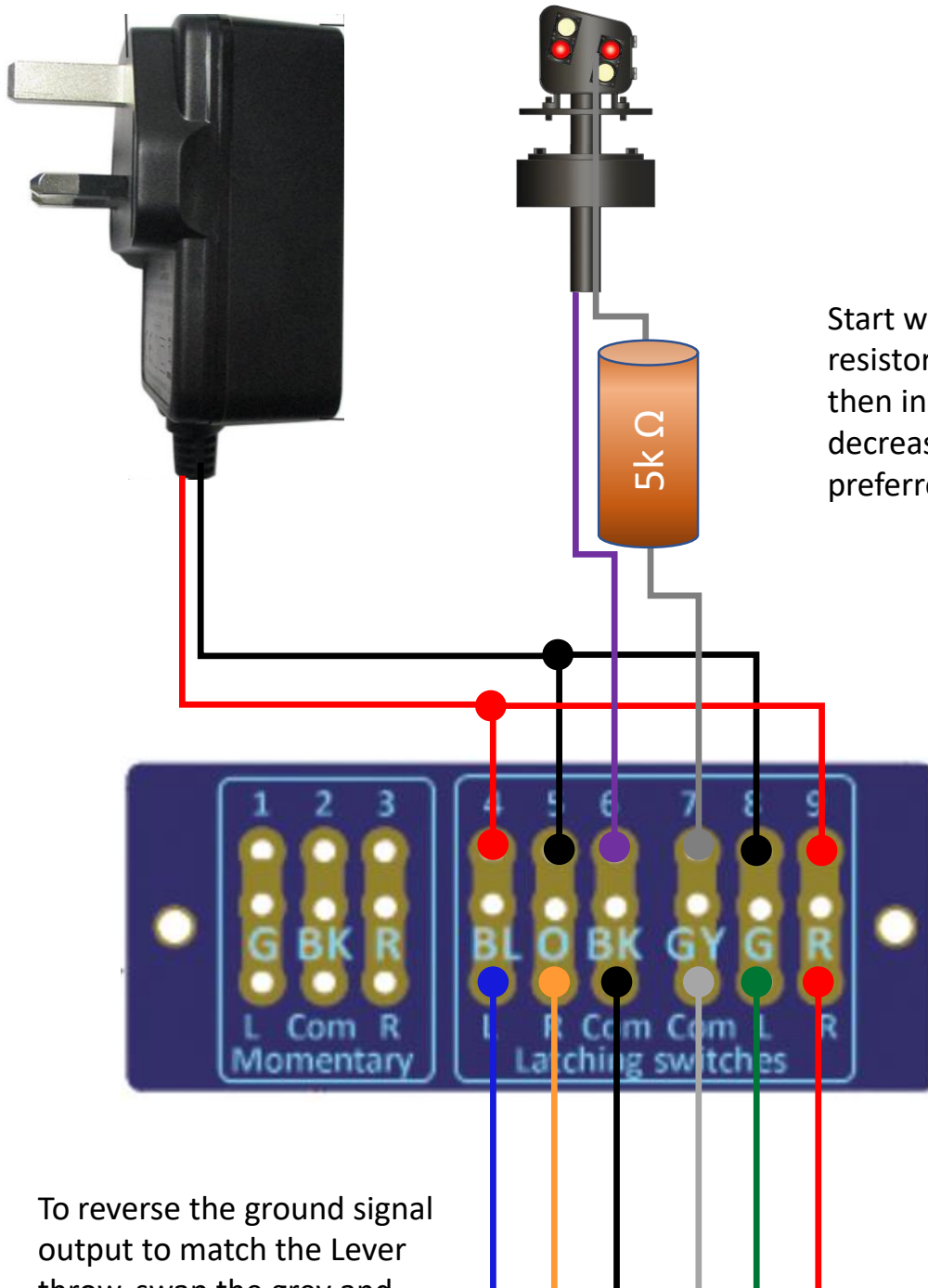


Cobalt S Lever to Mimic Ground Signal from 2-wire Power Supply

9 - 12Volt Regulated Power Supply



Start with a 5k Ω resistor for each signal then increase or decrease to suit preferred brightness.

To reverse the ground signal output to match the Lever throw, swap the grey and purple wires at the relevant Cobalt S Lever

Originally drawn for Neil M