

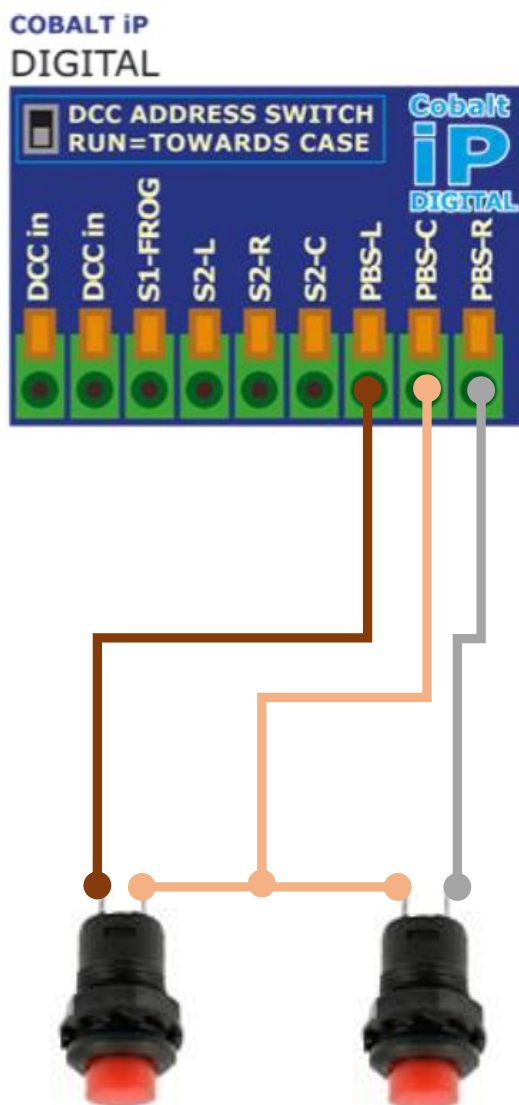


**DCC** thinking outside the square  
**concepts**



# Cobalt iP Digital controlled by push button switches

Power input and frog power is omitted for clarity



*Originally drawn for Mike S*