



**...We Have The Power!**

**Reliable Model Railways Need Reliable Power...**

We now have a variety of Super-High Quality power supplies available from stock. These will cover many uses, so let's take a look at what's available!

All our power supplies are REGULATED DC - this is important. An unregulated power supply can output far more power than it states on the label, meaning your very expensive locomotives or accessories are at risk of being damaged.

They are also all suitable for use around the planet and are supplied with the correct adapter for your country. Just select the correct variant from the links below and we will dispatch to you straight away!



**18V DC, 2A Super-High Reliability Power Supply**

- Perfect upgrade Power Supply for NCE PowerCab, delivering a slightly higher voltage to track which increases performance and allows for faster running speeds of your locomotives.
- Complete with 2.5mm DC plug to fit NCE PCP, Alpha products and many other uses.

**[DCP-18.2.UK](#) - For UK, Ireland, Malta, Malaysia and Singapore**

**[DCP-18.2.AU](#) - For Australia, New Zealand and China**

**[DCP-18.2.EU](#) - For EU, South America and Asia**

**[DCP-18.2.US](#) - For USA, Canada and Japan**



**12V DC, 3A Super-High Reliability Power Supply**

- Perfectly regulated, smoothed 12V DC, ideal for countless uses around your model railway.
- Complete with 2.5mm DC plug to fit Alpha products and many other uses.

**[DCP-12.3.UK](#) - For UK, Ireland, Malta, Malaysia and Singapore**

**[DCP-12.3.AU](#) - For Australia, New Zealand and China**

**[DCP-12.3.EU](#) - For EU, South America and Asia**

**[DCP-12.3.US](#) - For USA, Canada and Japan**



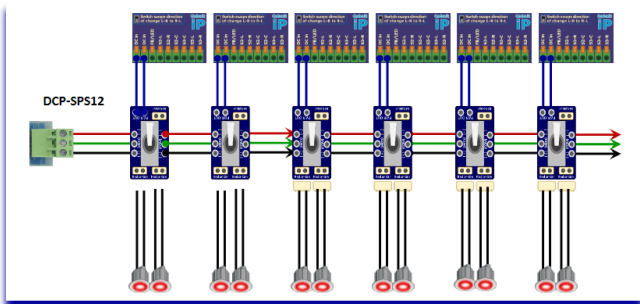


**12V DC, 1.5A Super-High Reliability Power Supply (DCP-PS12)**

- Perfect for layout lighting and accessories.
- Outputs 12 Volts at 1.5 Amps.
- Suitable for all international mains systems
- Supplied with a country-compatible power adapter where required.

**12V DC Split Power Supply Kit (DCP-SPS12)**

- Includes 2x 1.5 Amp world-approved power supplies and a plug-and-play PCB.
- Additional filtering for smooth power delivery.
- Simplifies wiring for Cobalt Classic, Cobalt Omega, Cobalt iP Analog or Tortoise turnout motors.
- Supplied with a country-compatible power adapter where required.



Use in combination with Cobalt Switch Packs to create your control panel, complete with switches and LEDs.

- ◇ [DCP-CBSGR](#)—Cobalt iP Analog & Omega Switch Pack with Green LEDs
- ◇ [DCP-CBSRD](#)—Cobalt iP Analog & Omega Switch Pack with Red LEDs
- ◇ [DCP-CBSDC](#)—Cobalt iP Analog & Omega Switch Pack with Red/Green LEDs



### ***Integrated CDU with Dual Super-High Power CDUs (DCP-CDU-2)***



- *Suitable for countries with 220 - 240V mains voltage*
- ***No need*** for an additional power supply
- *Fire multiple solenoids simultaneously - perfect for route-setting*
- *Almost unlimited power with a super-short recharge time.*
- *For more information, see the user guide for this product [HERE](#).*

### ***Where can I buy DCCconcepts Power Supplies?***

All our products are available at [www.dccconcepts.com](http://www.dccconcepts.com), but don't forget that our products are also available from our network of specialist retailers. You can find a map of these by clicking the Google Maps link below:



### ***That's all for now...***

There will be more news from us soon, including information about some exciting new track components from our friends at Legacy Models!

Did you enjoy the contents—please let us know. Don't be shy: We invite you to email us and discuss any changes you might like to see and welcome ideas for any "style" changes or additions we could consider to make more interesting reading. Of course, if you have a specific subject that you would like us to cover, we will listen. Please email us at [web@dccconcepts.com](mailto:web@dccconcepts.com) and we will see what we can do. Until then, thank you for sharing your valuable hobby time with us.

A handwritten signature in blue ink, appearing to read "Richard Johnson".

Richard Johnson, DCCconcepts CME