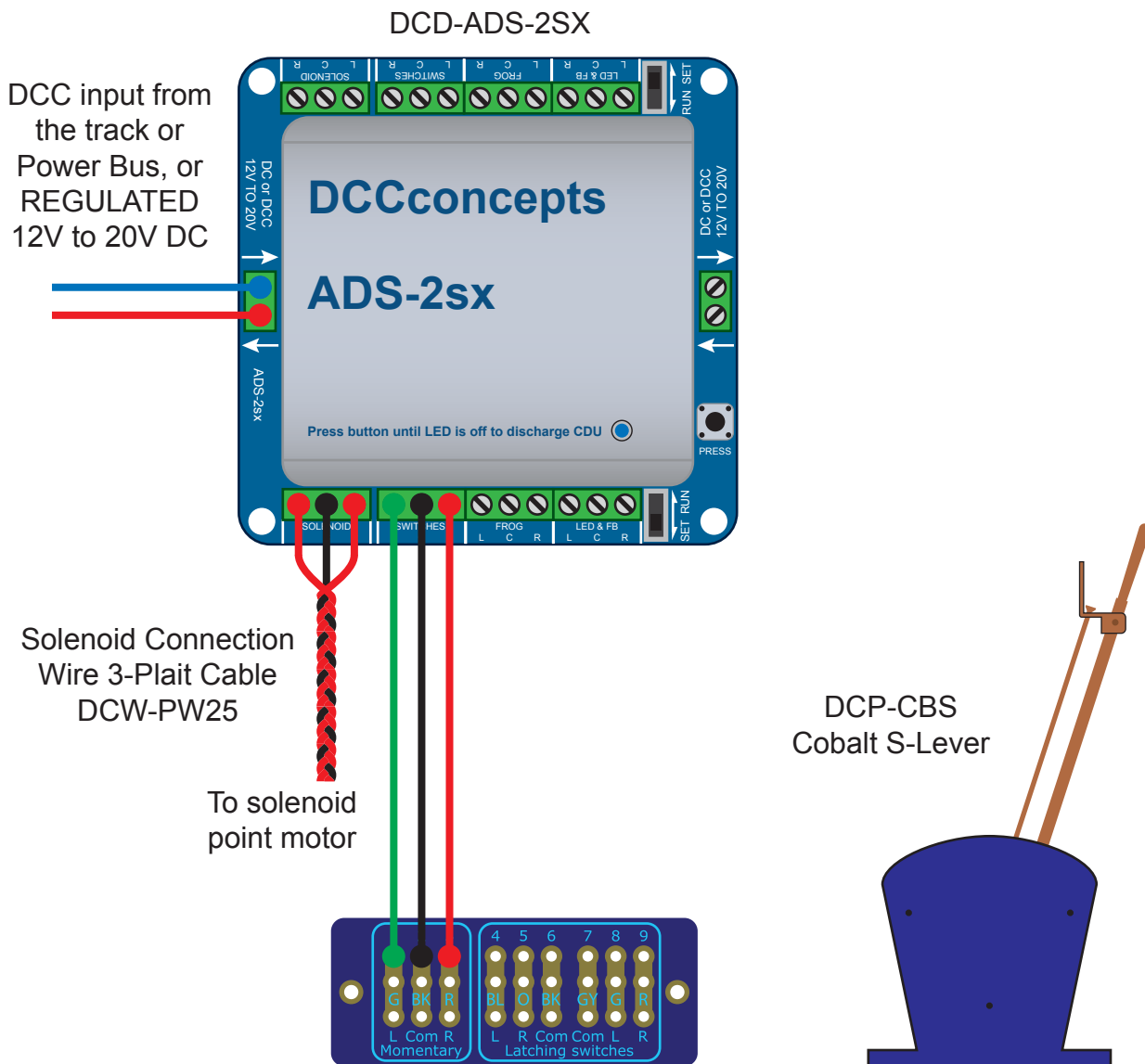




ADS-2SX Using a Cobalt S-Lever

DO NOT WIRE CONNECTIONS TO ANY ADS UNIT WHEN IT IS POWERED AND THE BLUE DISCHARGE LIGHT IS LIT



To reverse the output wires to match the lever throw, swap the green and red wires at the relevant Cobalt S-Lever or ADS connection.