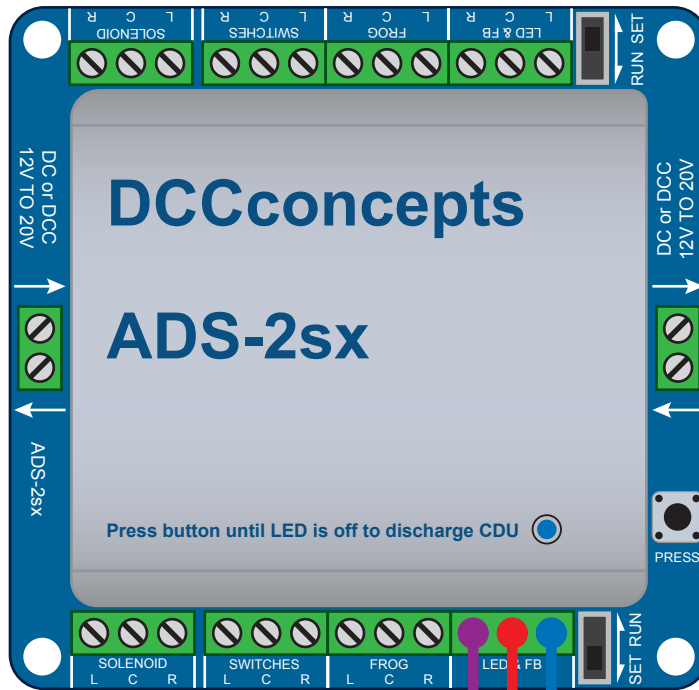




ADS Decoder LED Output Driving A Two Wire Mimic Bi-Colour LED

The same principle applies to the ADS-4SX and ADS-8SX

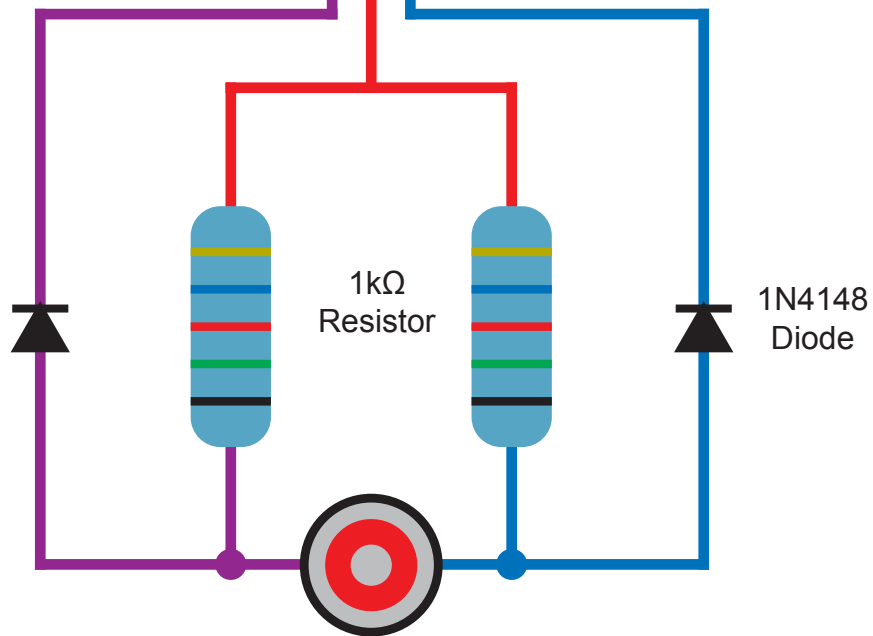


2 Channel Accessory Decoder CDU Solenoid Drive & Digital Relay SX DCD-ADS-2SX

Resistor values are indicative, adjust the value to adjust the brightness but never use less than a 1k resistor.

The ADS output is about 4V and these Alpha Mimic dual Red and Green LEDs operate at about 2V.

Commercially available LEDs may have higher voltage requirements, i.e. they may have a built in resistor and so this method may not work.



As the ADS switches the left to right output, the LED changes from Red to Green.

