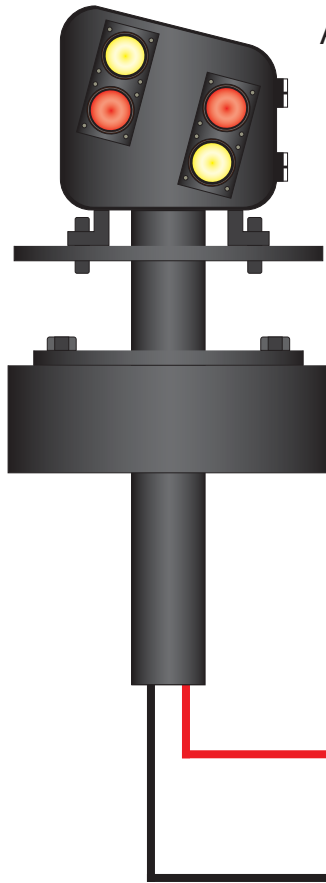


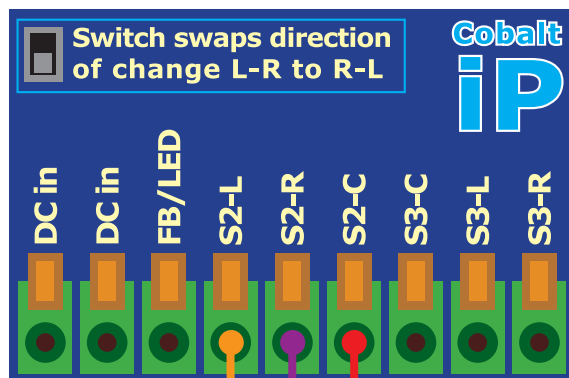


# Alpha Mimic Ground Signals Powered By SPS-12 & Controlled By iP Analog Motor



Alpha Mimic Ground Signal supplied without the control board i.e. DCD-GS-BR.4

Cobalt iP Analog Point Motor DCP-CB1IP



To reverse the ground signal output to match the Cobalt point motor, swap the yellow and purple wires at the relevant motor.

Start with a 5kΩ resistor for each signal and then increase or decrease to suit your preferred brightness.

