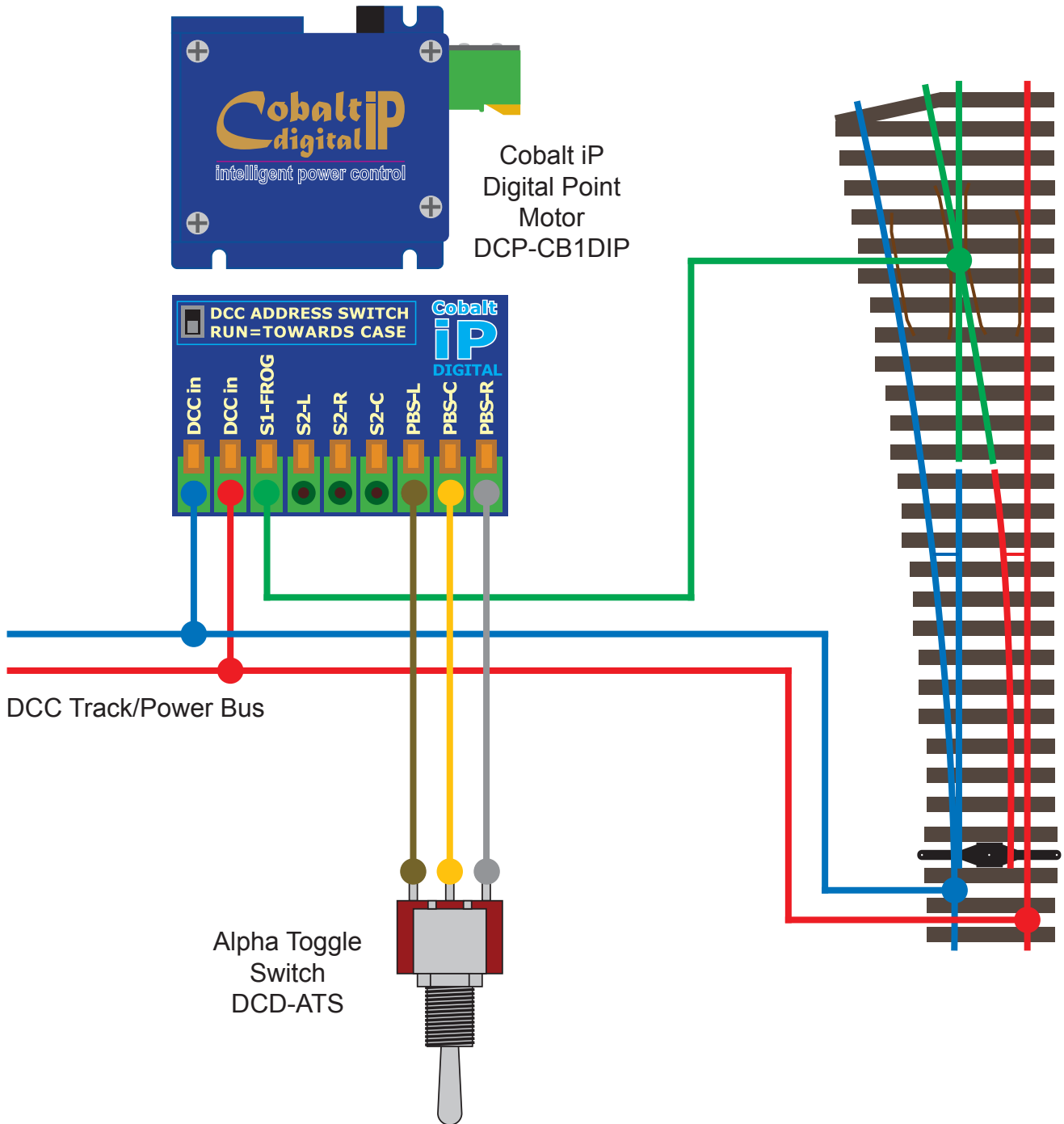




Cobalt iP Digital Point Motor Controlled By A Toggle Switch



The toggle switch must be a momentary centre off type
On-Off-On Spring To Centre