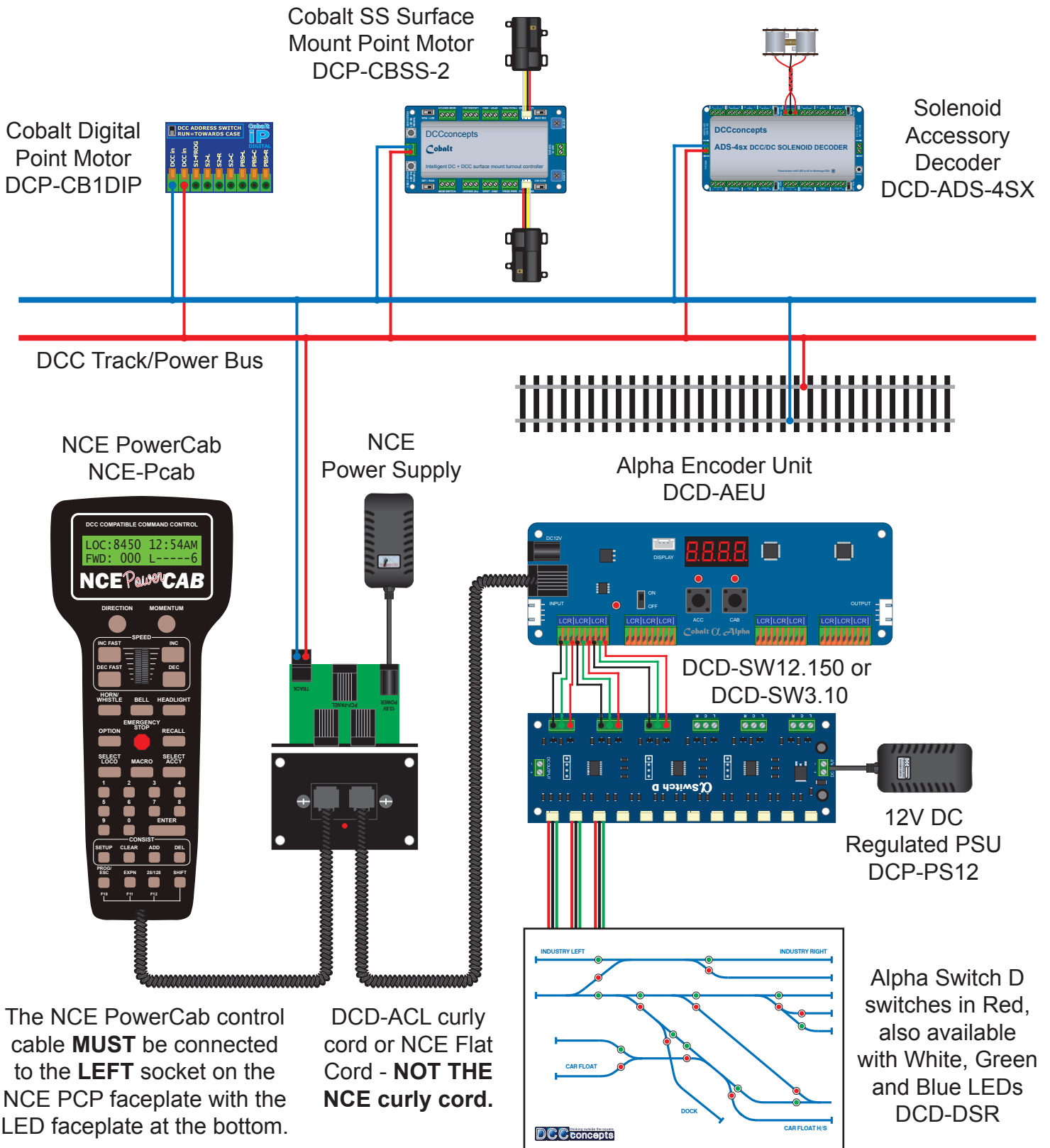




## NCE PowerCab With Alpha Encoder Unit And Alpha Switch D



The NCE PowerCab control cable **MUST** be connected to the **LEFT** socket on the NCE PCP faceplate with the LED faceplate at the bottom.

DCD-ACL curly cord or NCE Flat Cord - **NOT THE NCE curly cord.**

Alpha Switch D switches in Red, also available with White, Green and Blue LEDs DCD-DSR