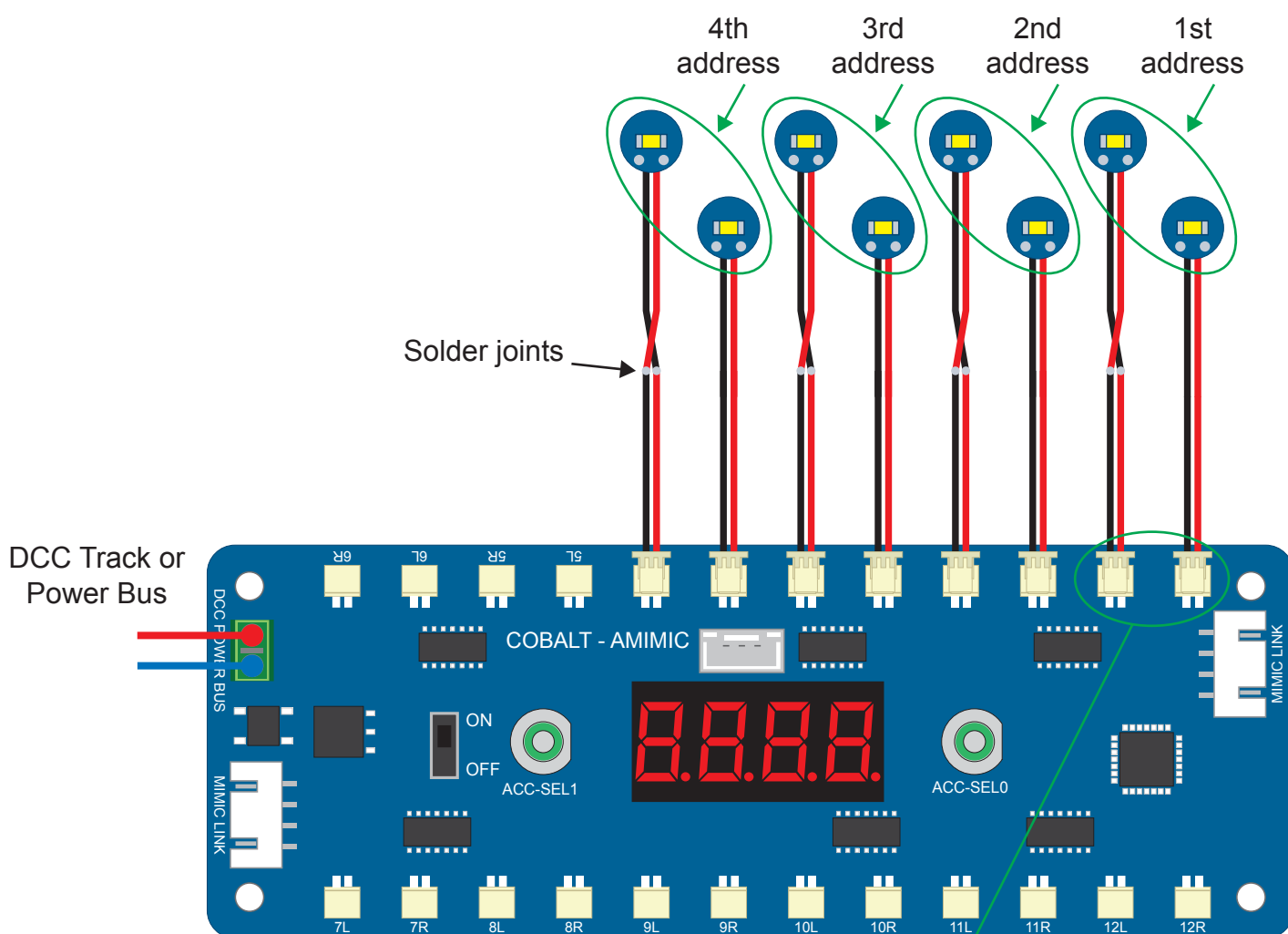




Alpha Mimic Plug & Play Controllable Building Lighting

Alpha Mimic Plug & Play Controllable Building Lighting DCD-MPLL



If the LEDs are on when they should be off, swap the two connections in the L and R sockets on the Alpha Mimic board.