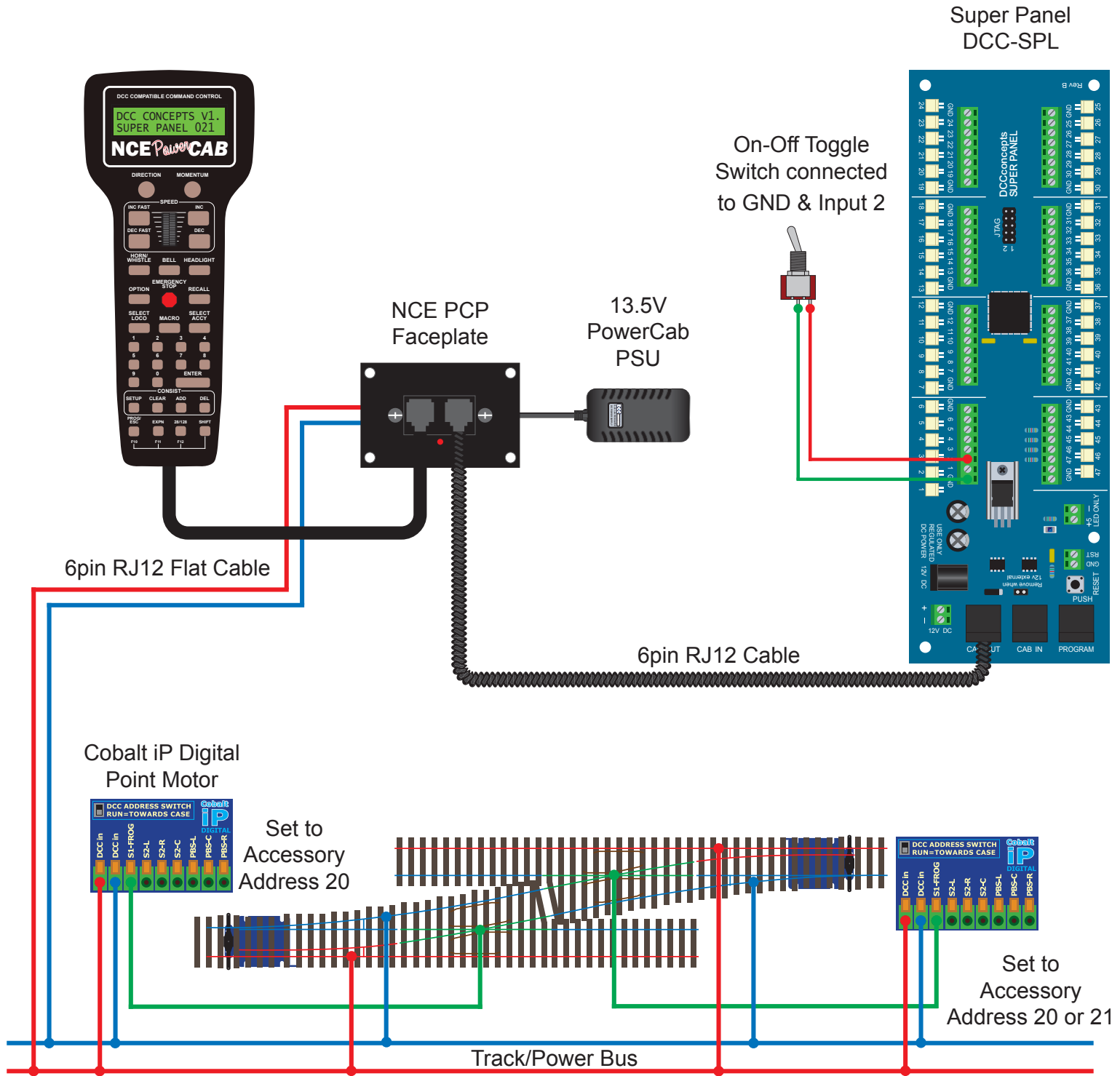




Super Panel Advice #2 - Controlling A Crossover With A Single Toggle Switch

Super Panel Advice #2



Please note - The DCCconcepts Super Panel needs an NCE system to program and operate.