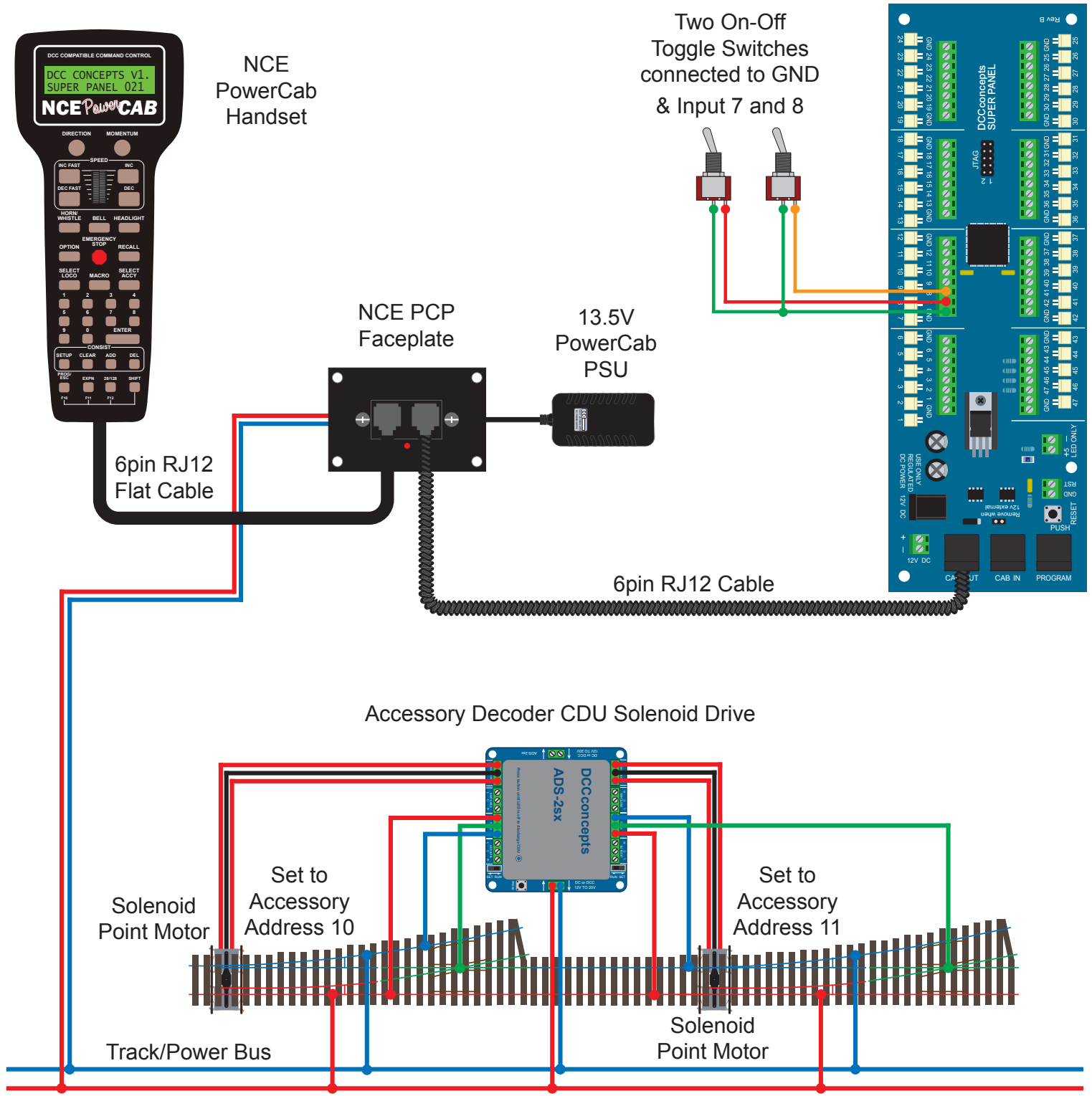




Super Panel Advice #8 - Controlling 2 Solenoid Points With 2 Toggle Switches

Super Panel Advice #8



Please note - The DCCconcepts Super Panel needs an NCE system to program and operate.