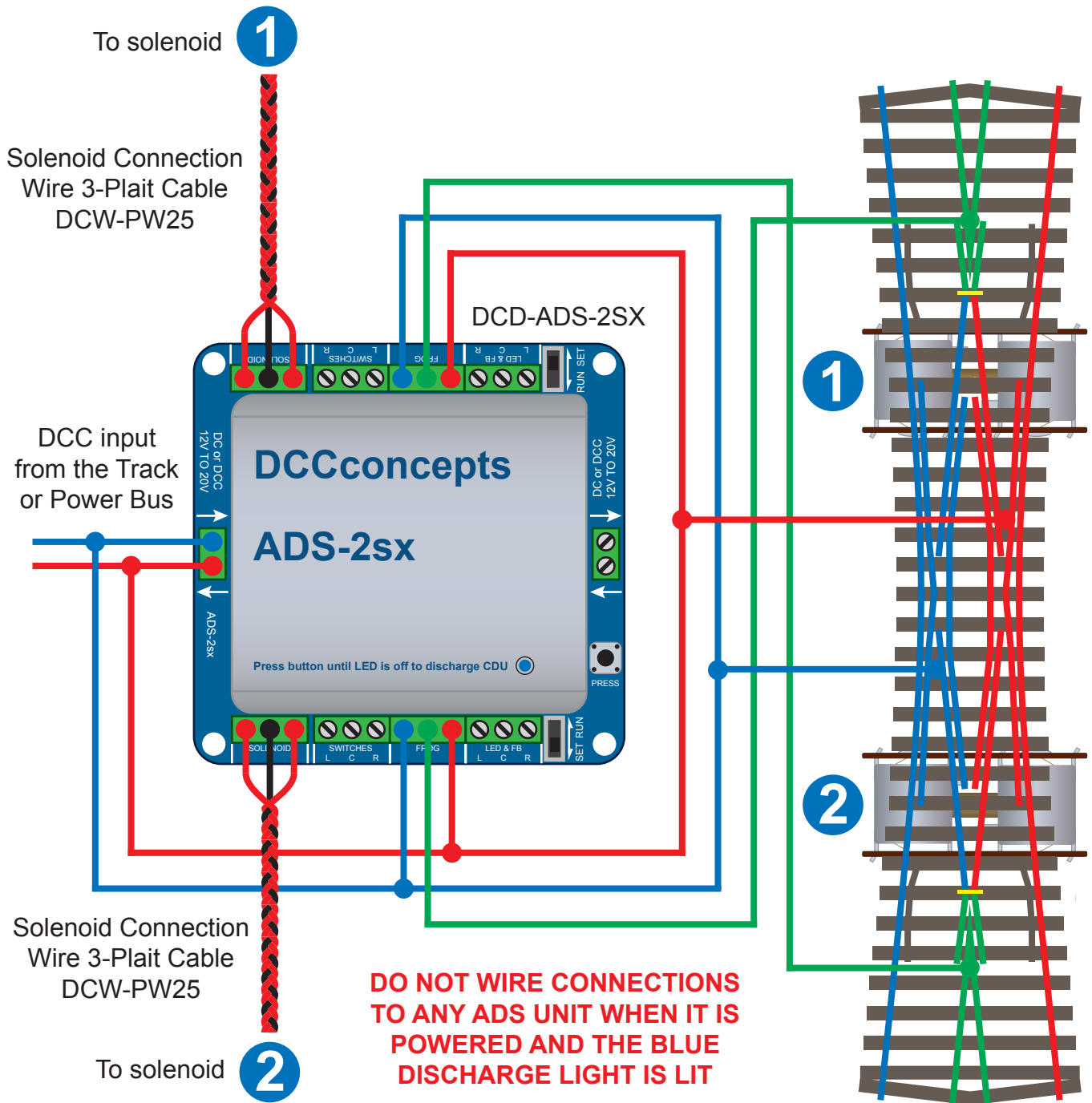




ADS-2SX Frog Control Of A Double Slip

The connections shown are for the ADS-2SX but they also apply to the ADS-4SX and ADS-8SX.
Tip 1: If a frog polarity is incorrect, swap the FROG L and FROG R, red & blue, connection wires.



In addition to making wiring neat and tidy, the plaiting of the 3 wires greatly reduces induction within the wire, increasing power delivery. This is because it reduces the high voltage spike that happens each time the solenoid coil power is released. It also help to extend the switch life and increase the reliability.